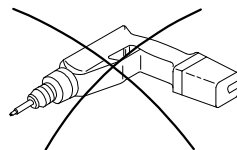
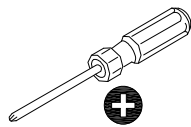
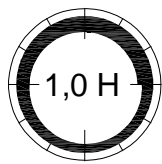
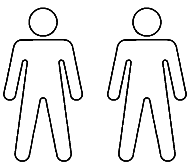
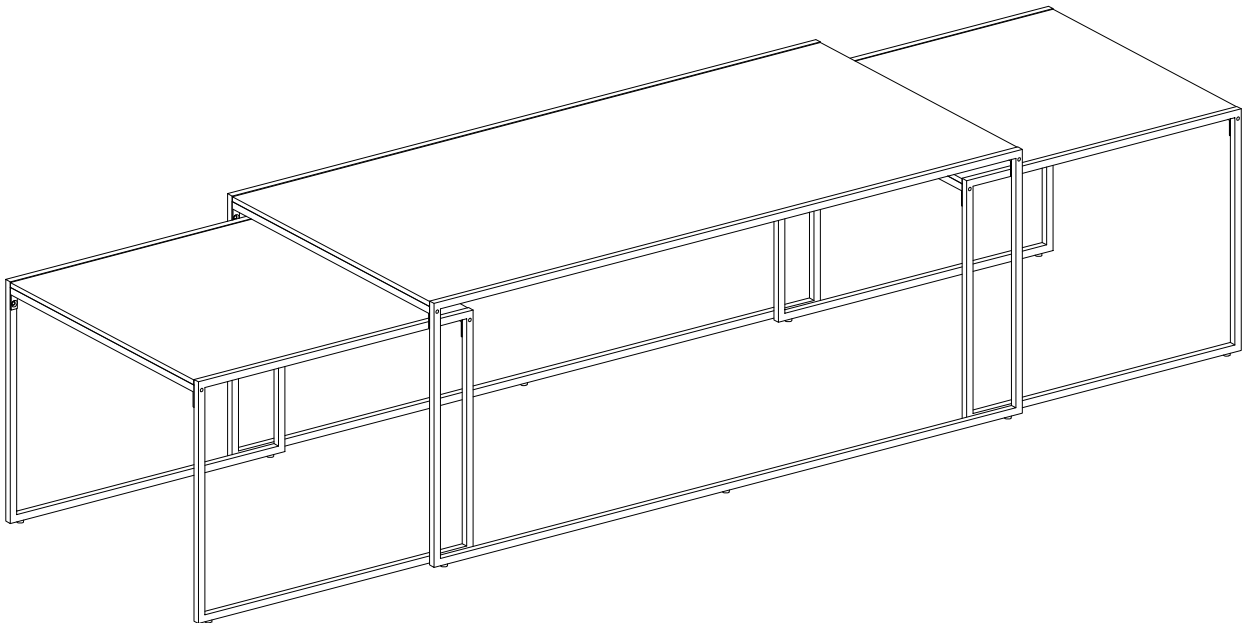
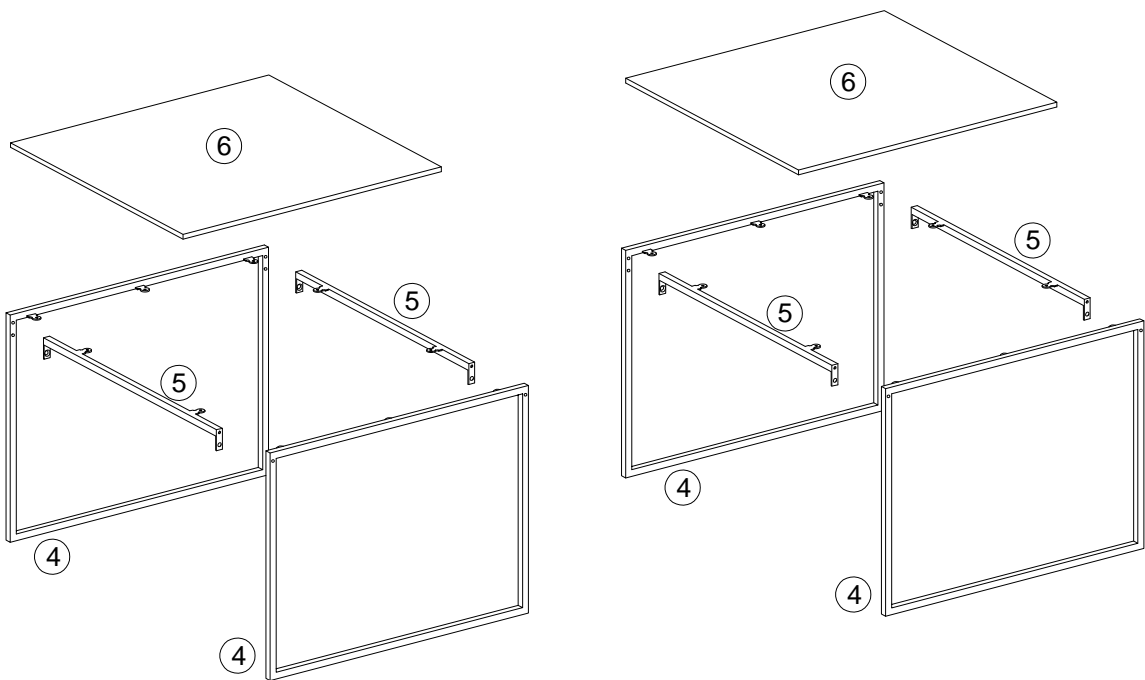
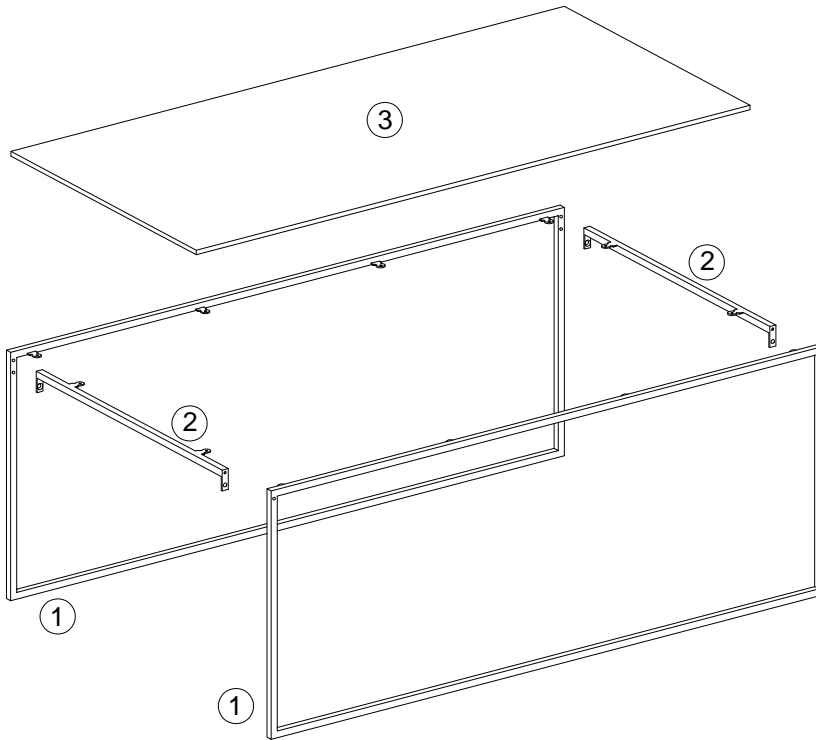



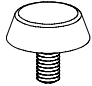





# Infinity





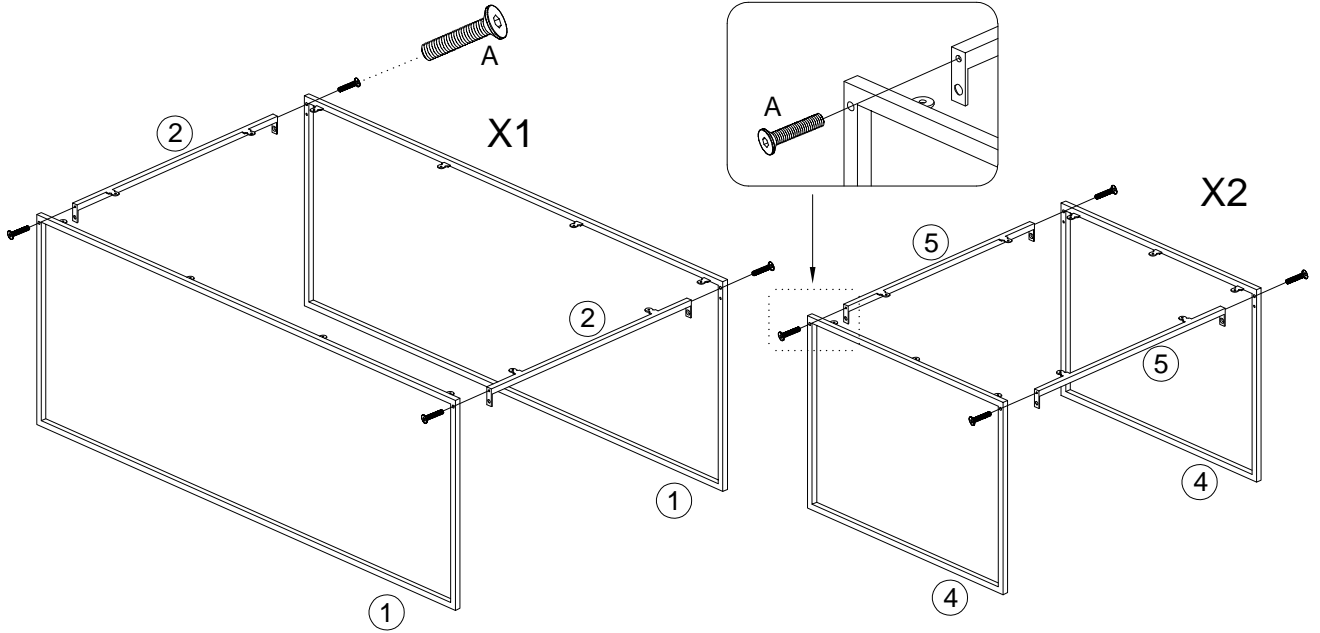
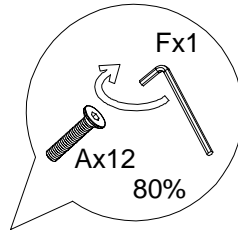
			✓
①	2	1200x475x39/13	
②	2	574x40/13x39/13	
③	1	1200x573x9	
④	4	560x435x39/13	
⑤	4	534x40/13x39/13	
⑥	2	560x533x9	





<p>A x 12</p>  <p>M5x20 mm</p>	<p>B x 12</p>  <p>M6x12 mm</p>	<p>C x 32</p>  <p>Ø4x10 mm</p>	<p>D x 14</p>  <p>M6/Ø13 mm</p>	<p>E x 1</p>  <p>4 mm</p>
<p>F x 1</p>  <p>3 mm</p>	<p>G x 32</p>  <p>Ø4/Ø9 mm</p>			

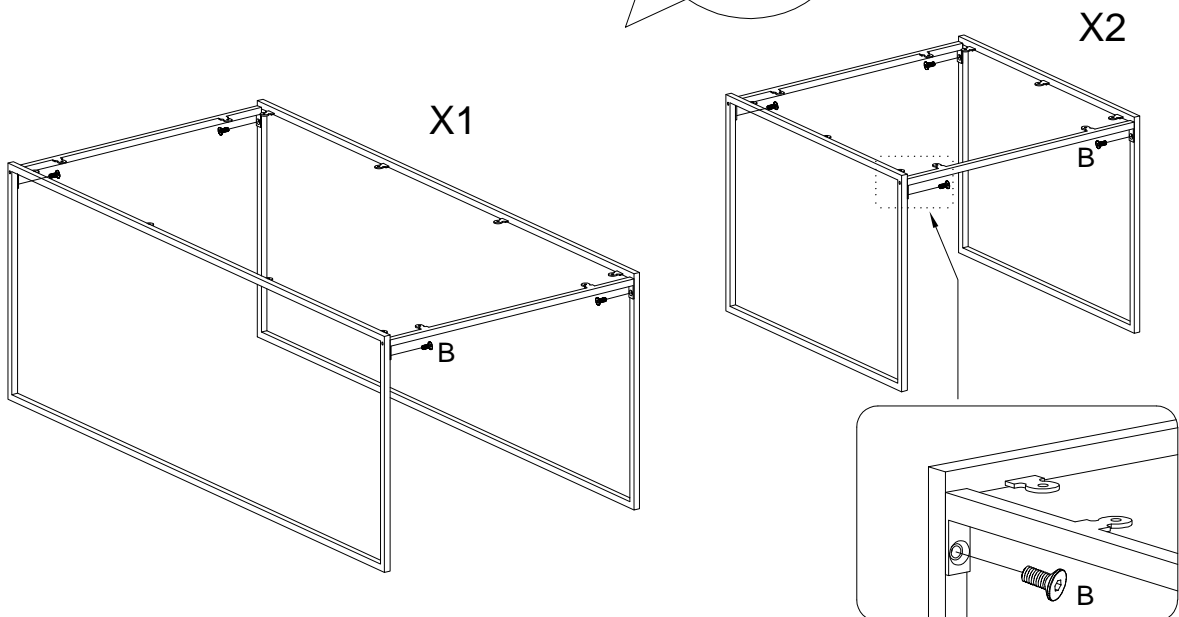
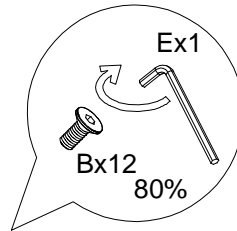
# 1

A x 12	F x 1
	
M5x20 mm	3 mm








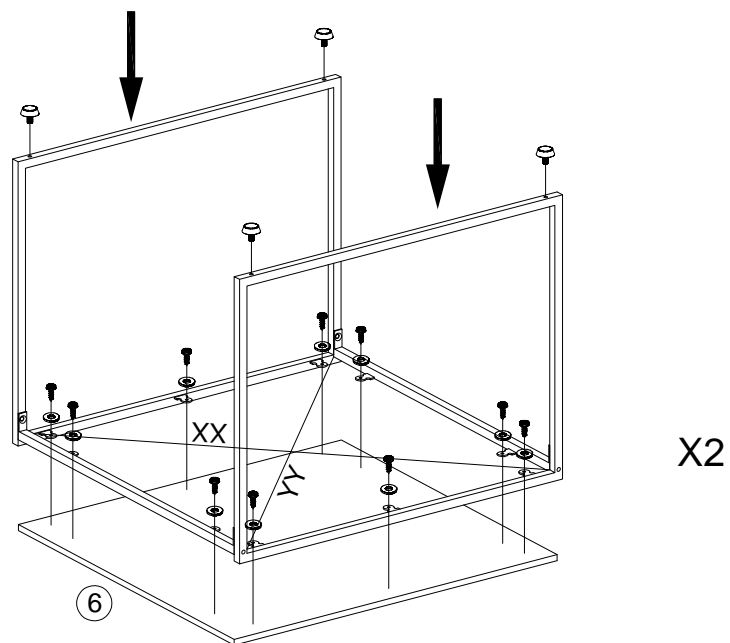
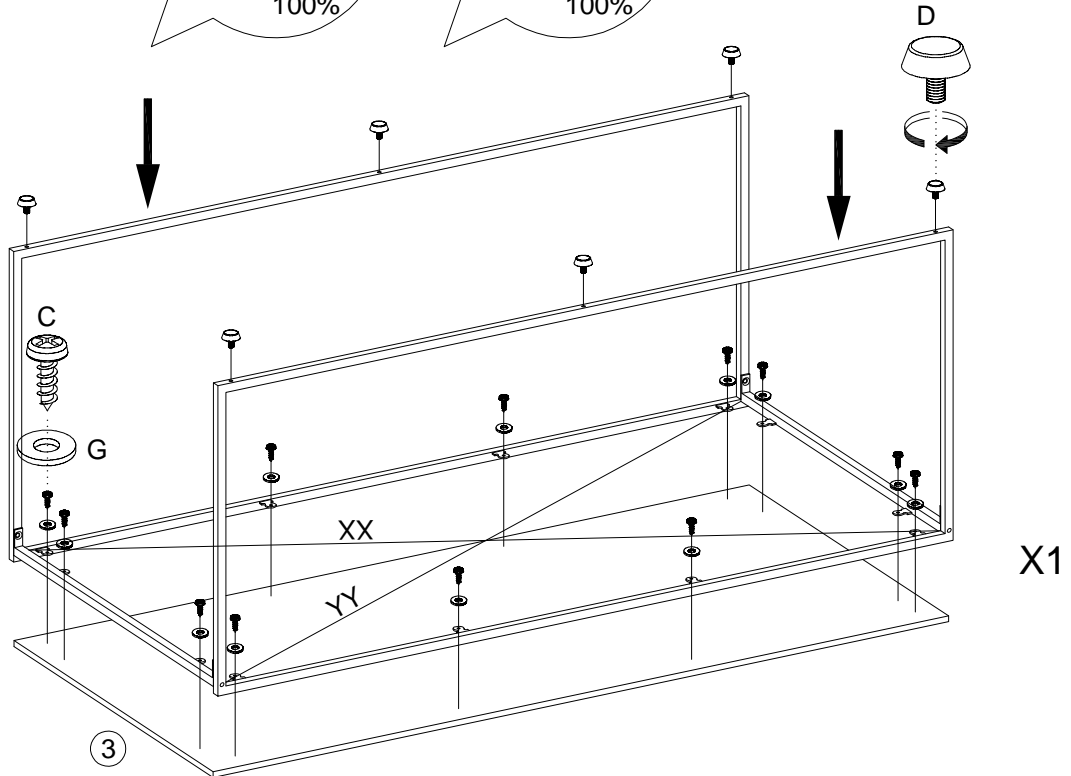
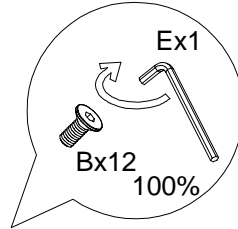
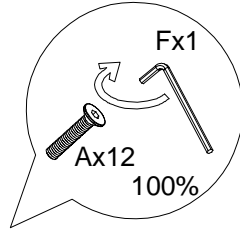
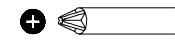
# 2

B x 12	E x 1
	
M6x12 mm	4 mm



# 3

C x 32  Ø4x10 mm	D x 14  M6/Ø13 mm	E x 1  4 mm	F x 1  3 mm	G x 32  Ø4/Ø9 mm
---------------------------------------------------------------------------------------------------------	----------------------------------------------------------------------------------------------------------	----------------------------------------------------------------------------------------------------	----------------------------------------------------------------------------------------------------	-----------------------------------------------------------------------------------------------------------



4

