

CAIRO 140*200 OTTOMAN BED

IMPORTANT INFORMATION!

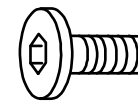
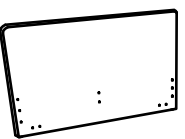

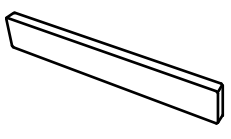
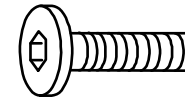

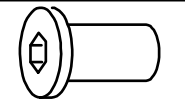

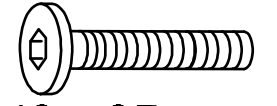
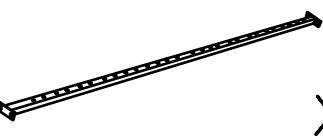

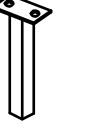


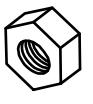
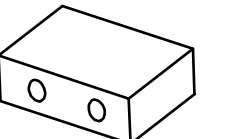

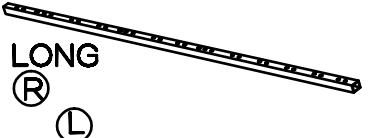
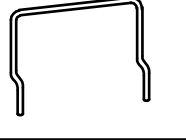
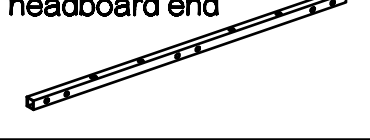
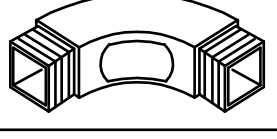
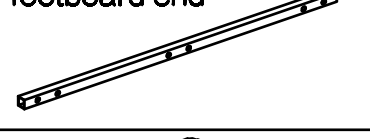



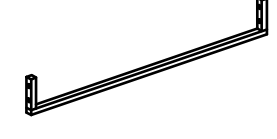
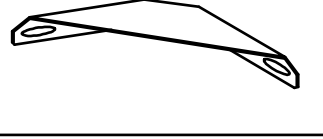
WE ADVISE YOU THAT BEFORE STARTING THE ASSEMBLY OF THIS PRODUCT PLEASE FAMILIARISE YOURSELF WITH THE IMPORTANT INSTRUCTIONS LISTED BELOW.

DO NOT'S

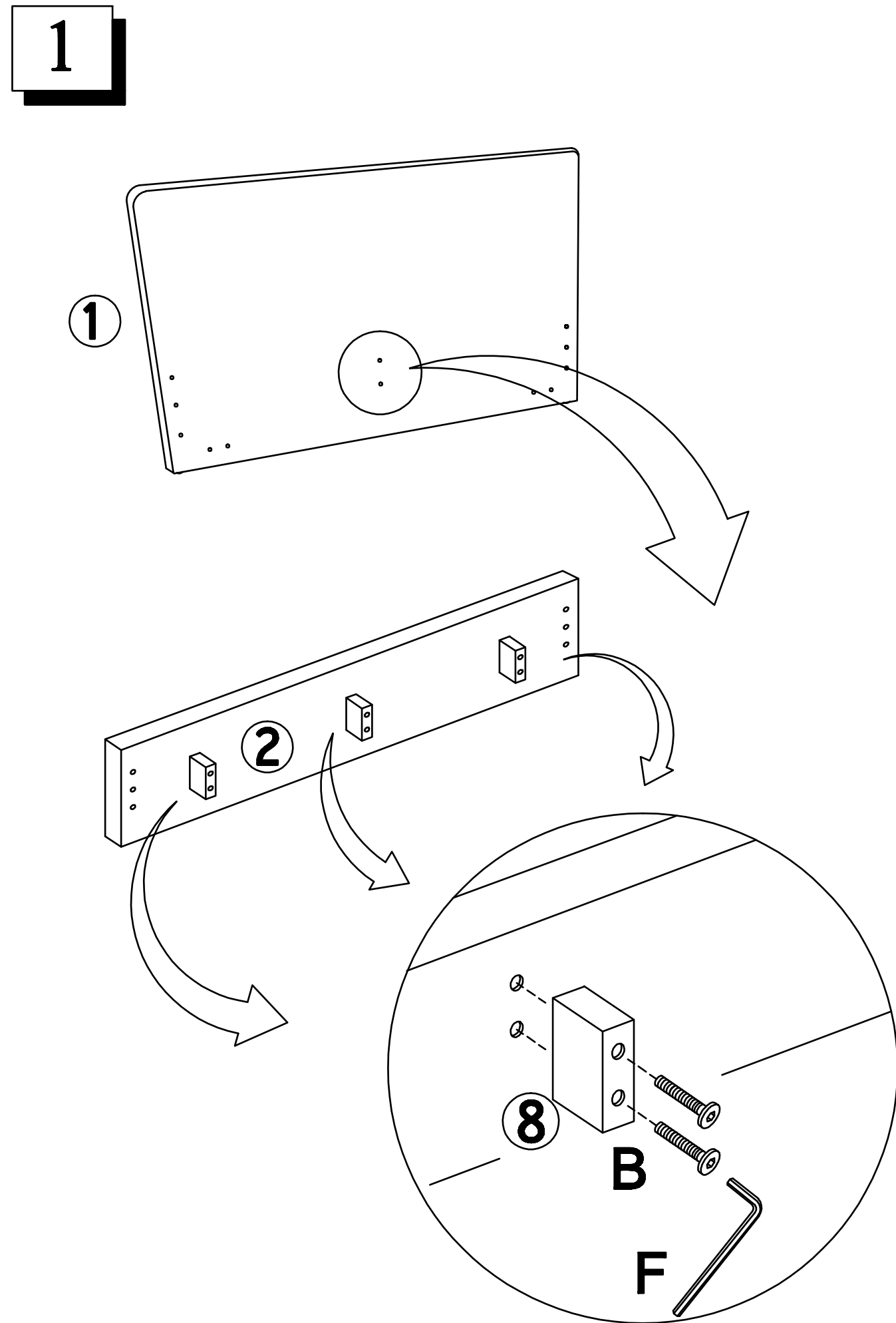
- DO NOT OVER TIGHTEN ANY PART OF THIS ASSEMBLY.
- DO NOT USE WASHING POWDER OR OTHER SUBSTANCES CONTAINING ABRASIVES WHEN CLEANING THE FURNITURE. AS THESE MAY SCRATCH THE FURNITURE.
- DO NOT USE ANY TOOLS OTHER THAN THOSE SHOWN.
- DO NOT FOR ANY REASON USE A POWER TOOL TO ASSEMBLE THIS PRODUCT,ITS USE COULD MAKE THIS PRODUCT UNSAFE.
- DO NOT DRAG FULLY ASSEMBLED FURNITURE.WE RECOMMEND 2 PEOPLE TO LIFT FURNITURE CLEAR OF THE FLOOR TO MOVE.

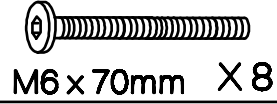
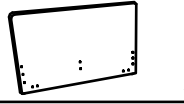

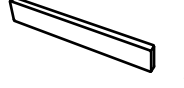
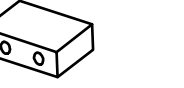
DO'S

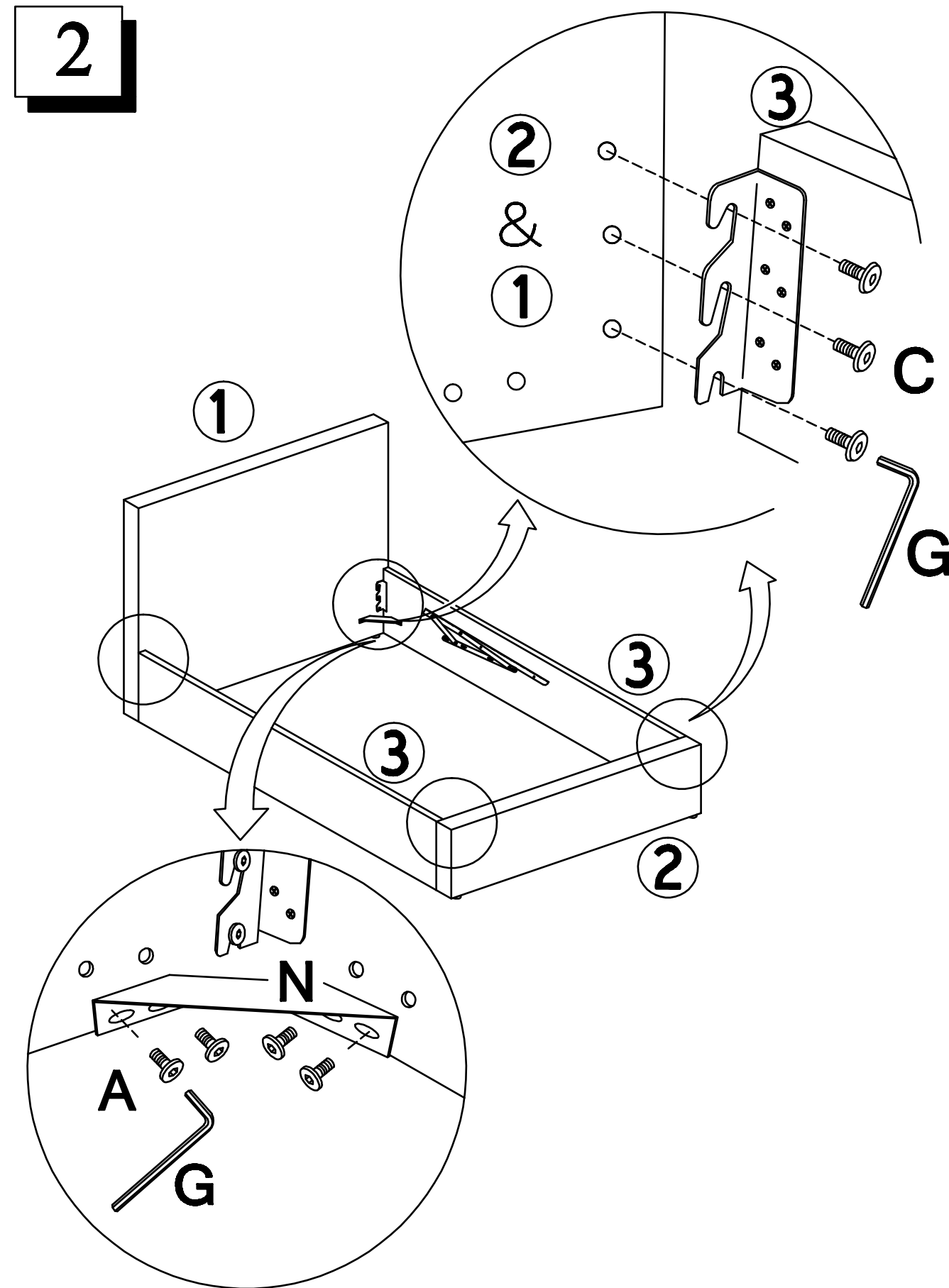
- DO USE A DAMP CLOTH(NOT WET)DRY DUSTER FOR CLEANING THE FURNITURE
- DO TIGHTEN UP THE HARDWARES FROM TIME TO TIME DEPENDING ON THE USE OF PRODUCT.THIS IS COMPLETELY NORMAL FOR ANY FLAT PACK FURNITURE.


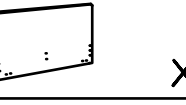

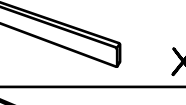



A	BOLT	 M8 x 15mm X 12	1	HEADBOARD	 X 1
B	BOLT	 M6 x 70mm X 8	2	FOOTBOARD	 X 1
C	BOLT	 M8 x 25mm X 38	3	SIDR RAIL	 X 2
D	NUT	 M8 x 18mm X 26	4	STRAP	 X 1
E	BOLT	 M8 x 35mm X 4	5	SUPPORT RAIL	 X 1
F	ALLEN KEY	 4 x4 X 1	6	SUPPORT LEG	 X 2
G	ALLEN KEY	 5 x5 X 2	7	SLATS	 X 28
H	FLANG NUT	 X 2	8	SUPPORT BAR	 X 4
I	SPANNER	 X 1	9	METAL FRAME	 LONG Ⓡ Ⓛ X 2
J	HOOK	 X 2	10	METAL FRAME	 headboard end X 1
K	METAL FRAME CONNECTIOR	 X 4	11	METAL FRAME	 footboard end X 1
L	CAP	 SINGLE X 28	12	NON WOVEN FABRIC	 X 1
M	CAP	 DOUBLE X 14	13	CENTER SUPPORT BAR	 X 1
N	LINK	 X 6			

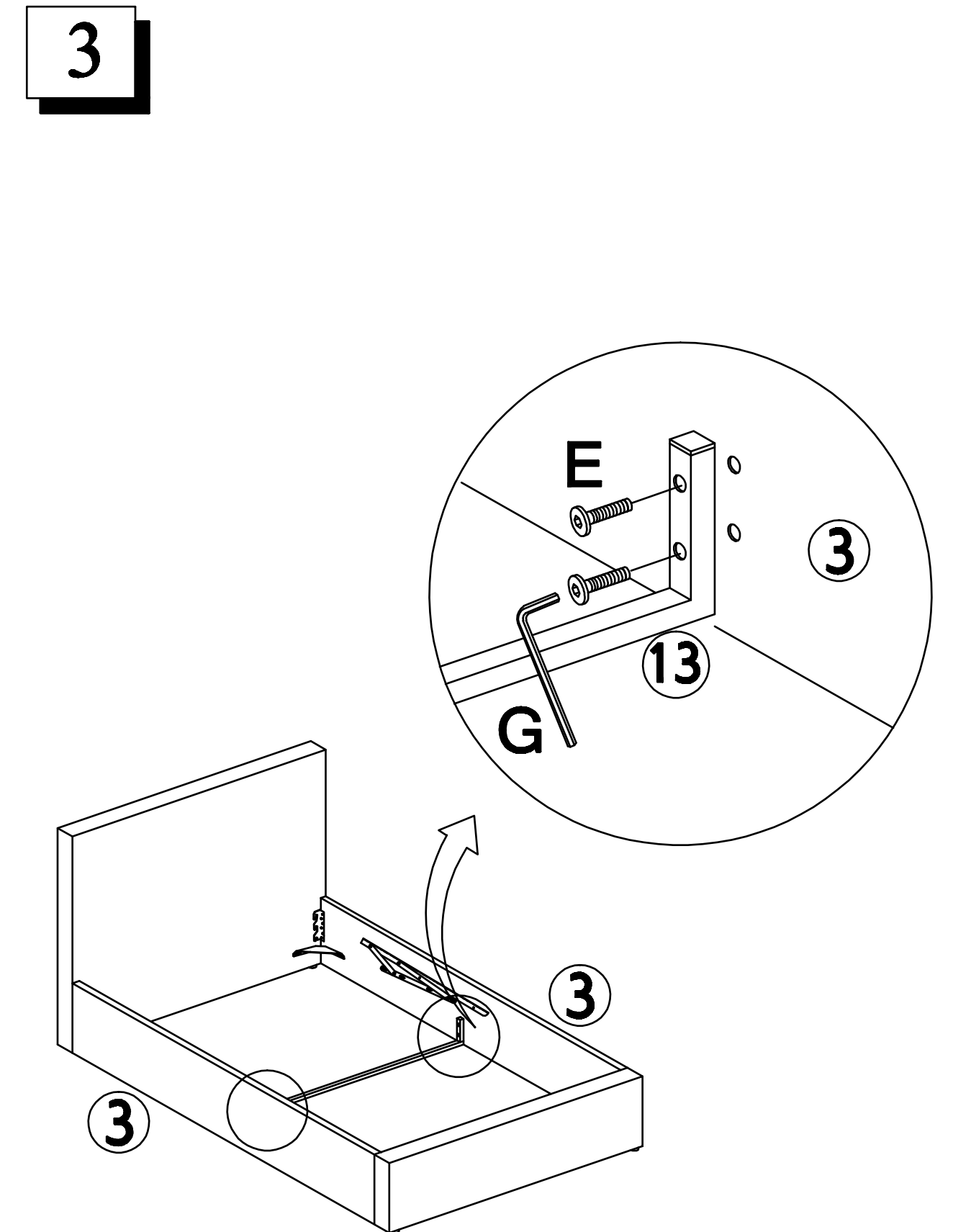
KINDLY FOLLOW ASSEMBLY INSTRUCTION STEP BY STEP

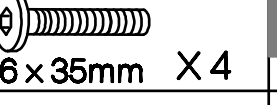
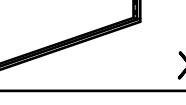



B	BOLT		M6 x 70mm X 8	1	HEADBOARD		X 1
F	ALLEN KEY		4x4 X 1	2	FOOTBOARD		X 1
				8	SUPPORT BLOCK		X 4



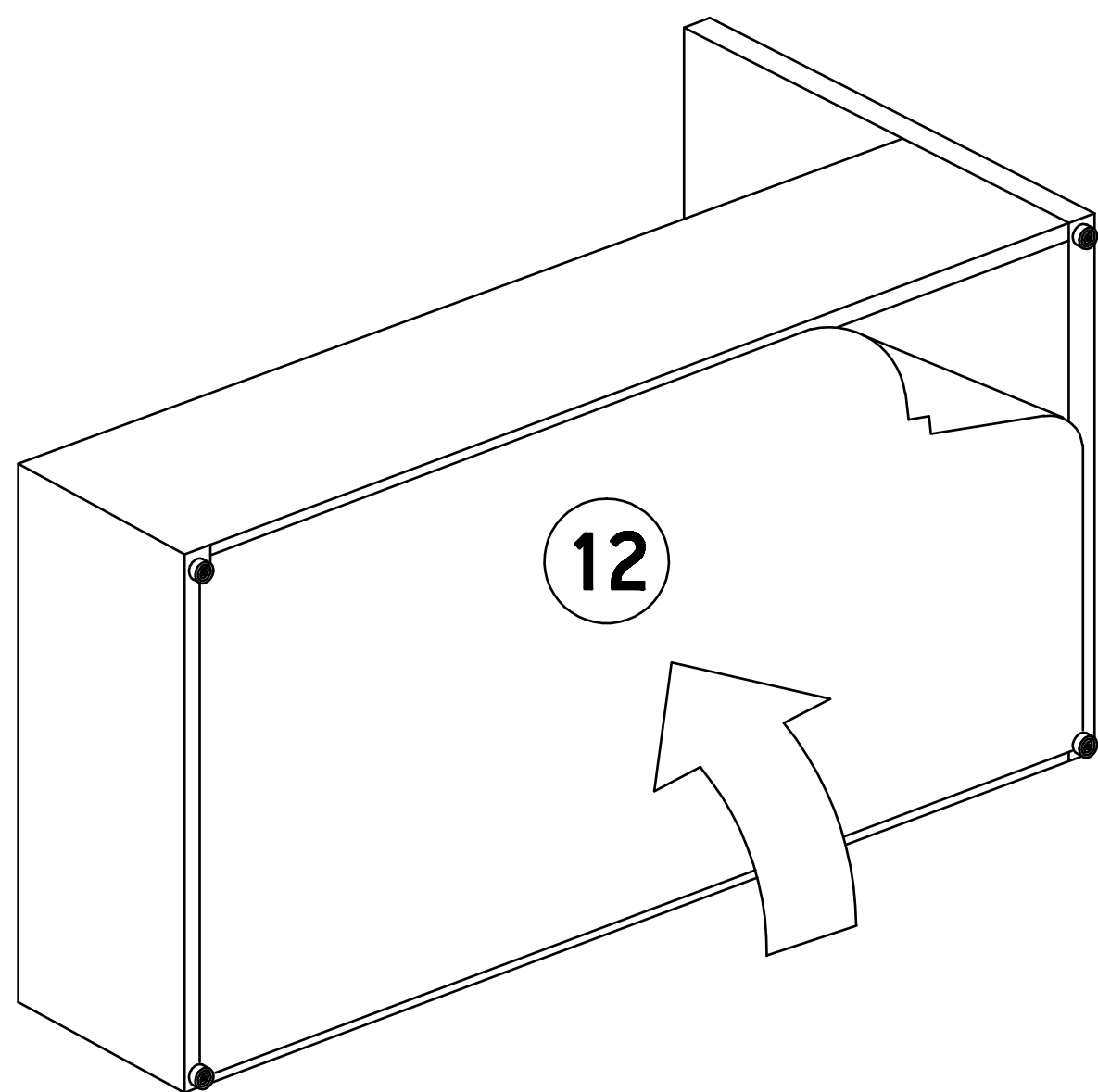
A	BOLT		M8 x 15mm X 8	1	HEADBOARD		X 1
C	BOLT		M8 x 25mm X 12	2	FOOTBOARD		X 1
G	ALLEN KEY		5 x 5 X 65mm X 1	3	SIDR RAIL		X 2
N	LINK		X 2				



E	BOLT		M6 x 35mm X 4	13	CENTER SUPPORT BAR		X 1
G	ALLEN KEY		5 x 5 X 1				

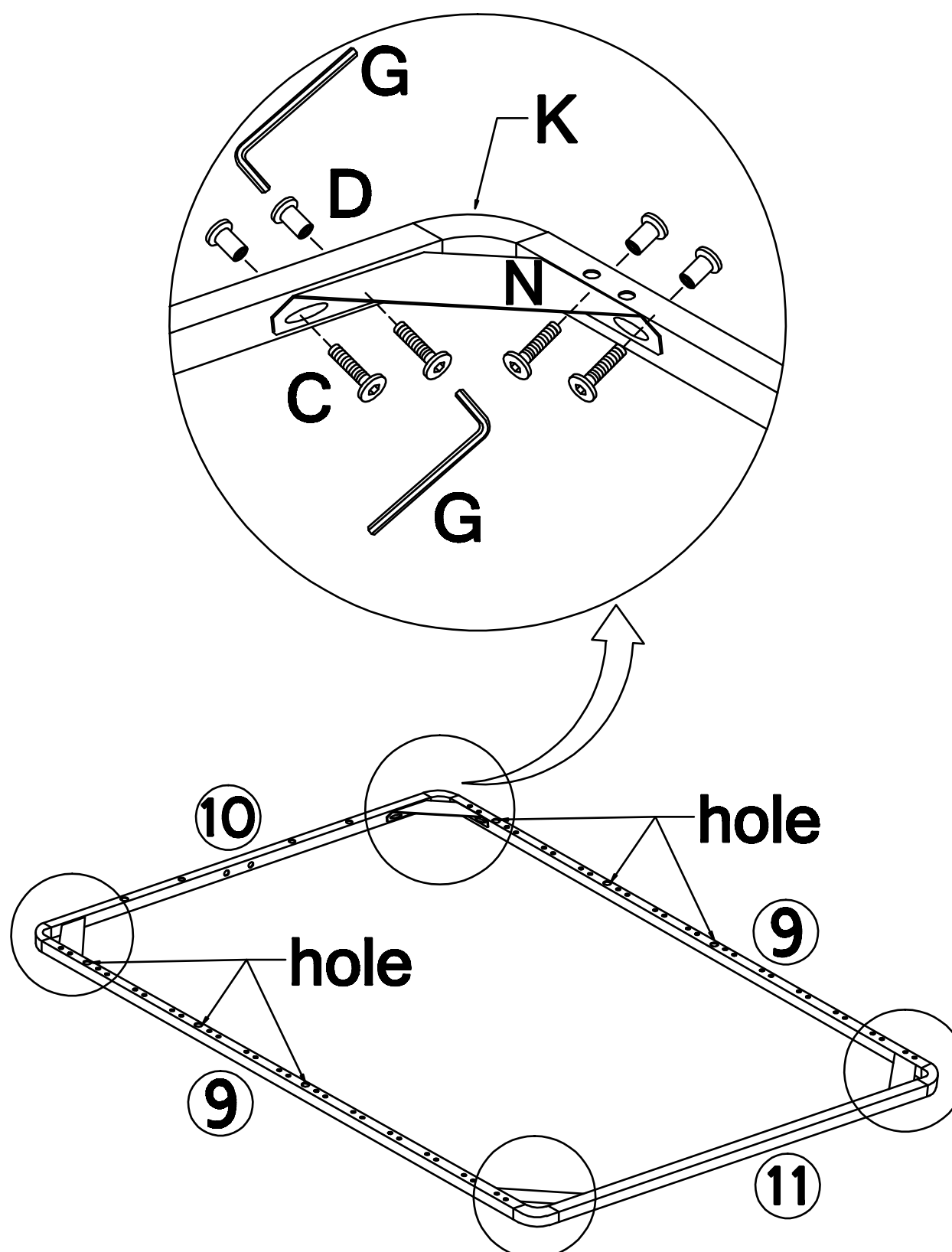
KINDLY FOLLOW ASSEMBLY INSTRUCTION STEP BY STEP

4



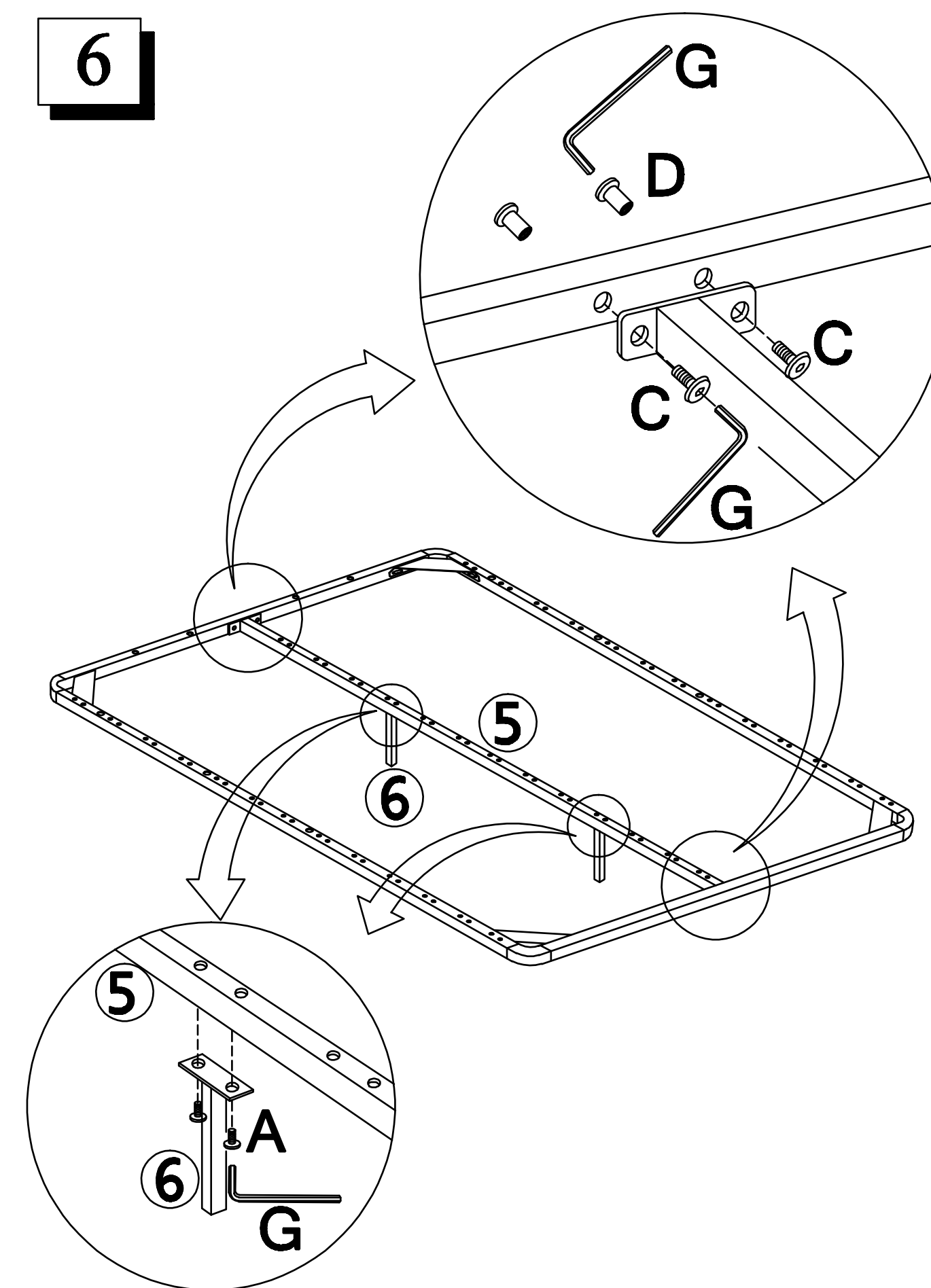
12 NON WOVEN FABRIC X1

5



C	BOLT	M8 x 25mm X 16	9	METAL FRAME	LONG X 2
D	NUT	M8 x 18mm X 16	10	METAL FRAME	headboard end X 1
G	ALLEN KEY	5 x 5 X 2	11	METAL FRAME	footboard end X 1
K	METAL FRAME CONNECTOR	X 4			
N	LINK	X 6			

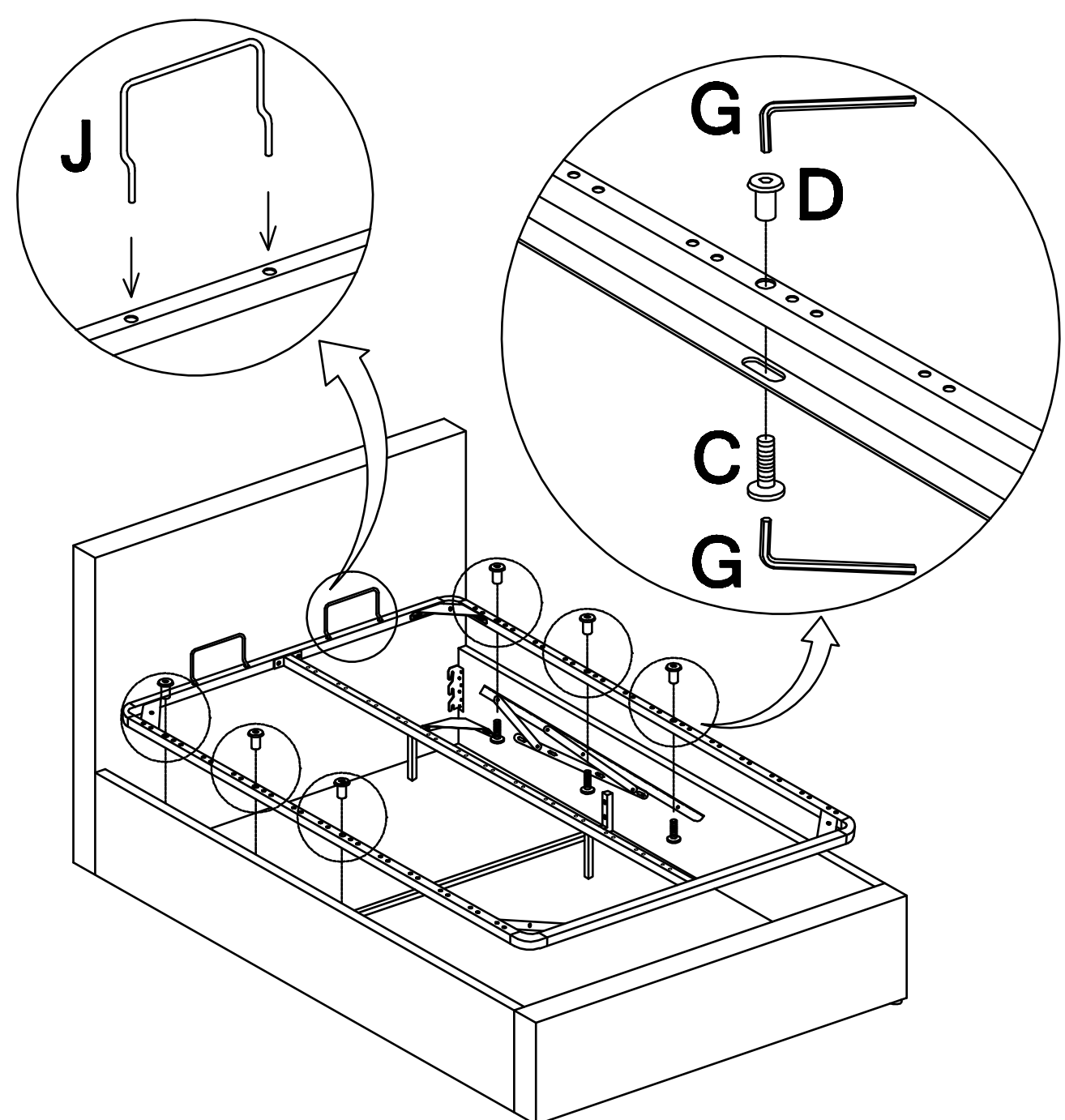
6



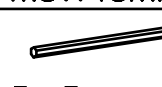
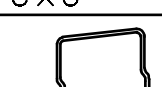


C	BOLT	M8 x 25mm X 4	5	SUPPORT RAIL	X 1
D	NUT	M8 x 18mm X 4	6	SUPPORT LEG	X 2
A	BOLT	M8 x 15mm X 4			
G	ALLEN KEY	5 x 5 X 2			

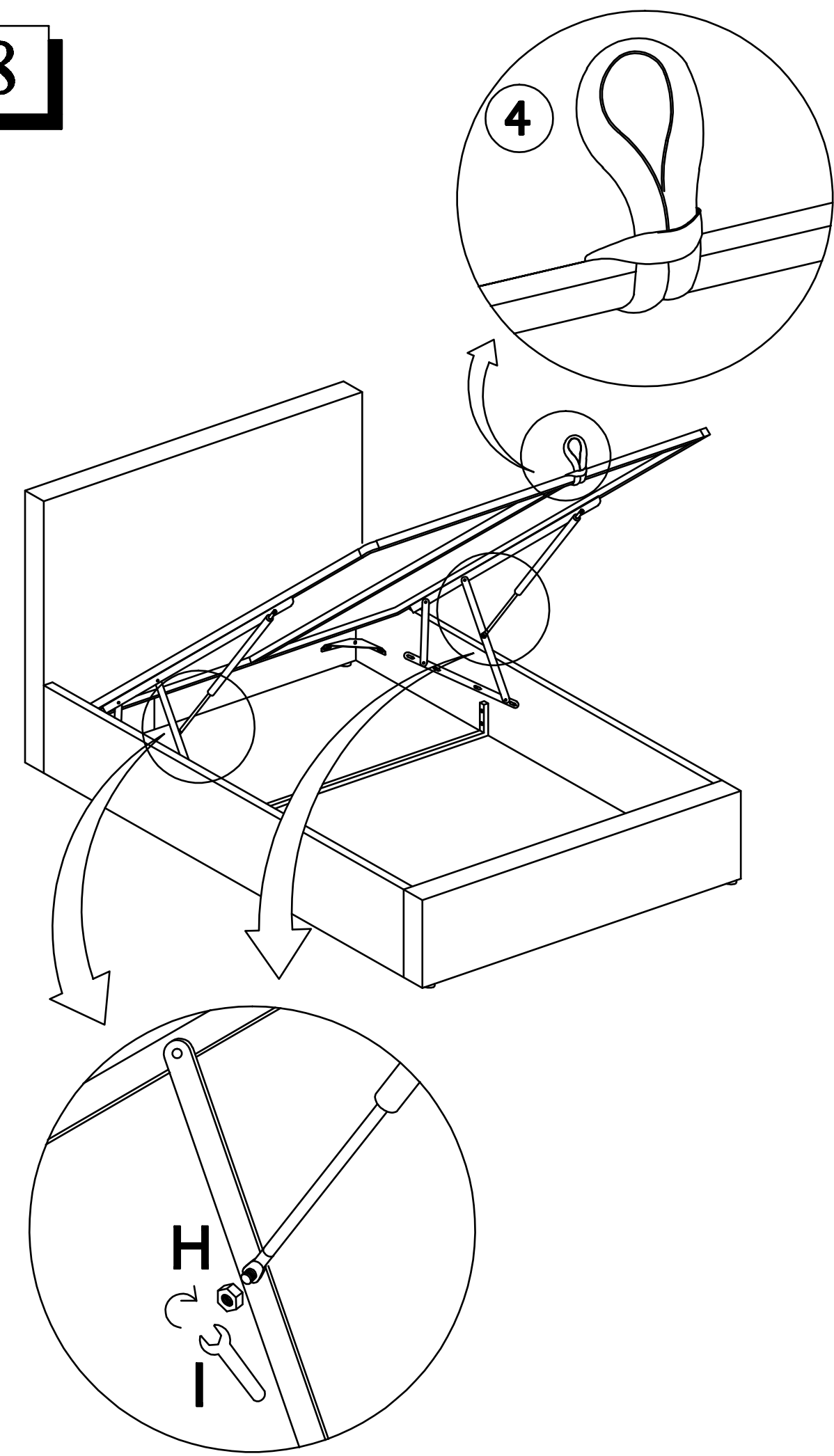
KINDLY FOLLOW ASSEMBLY INSTRUCTION STEP BY STEP

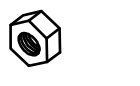

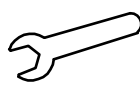
7



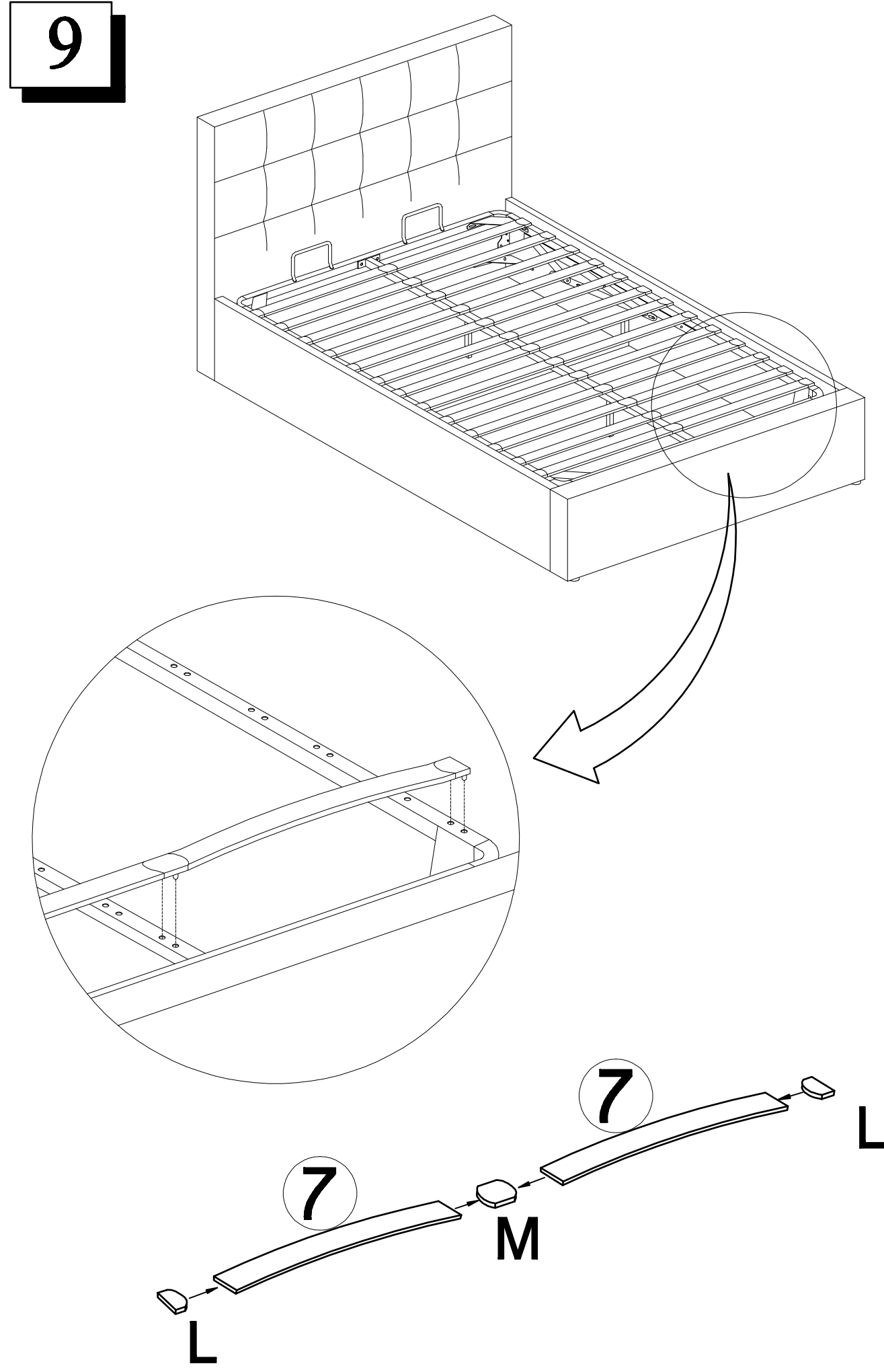
C	BOLT		M8 x 25mm	X 6		
D	NUT		M8 x 18mm	X 6		
G	ALLEN KEY		5 x 5	X 2		
J	HOOK			X 2		

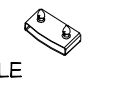


8



H	FLANG NUT		X 2	4	STRAP		X 1
I	SPANNER		X 1				

9



L	CAP		SINGLE	X 28	7	SLATS		X 28
M	CAP		DOUBLE	X 14				