

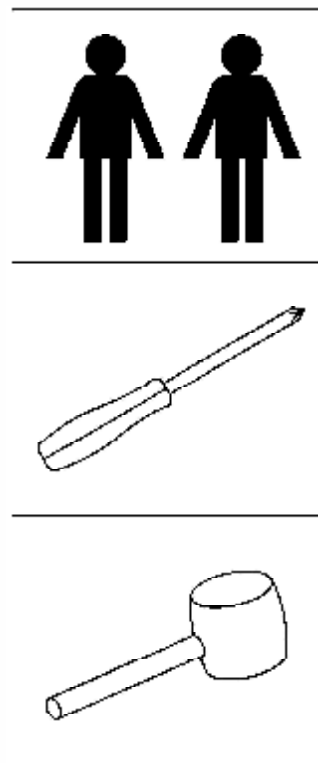
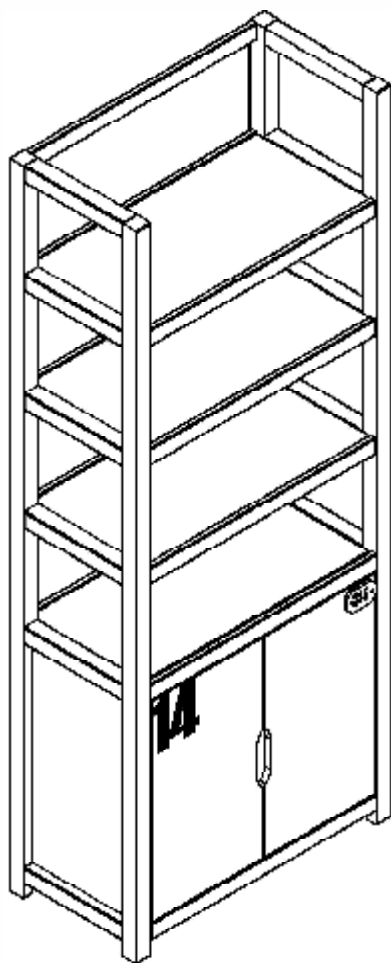


VIPACK
FURNITURE

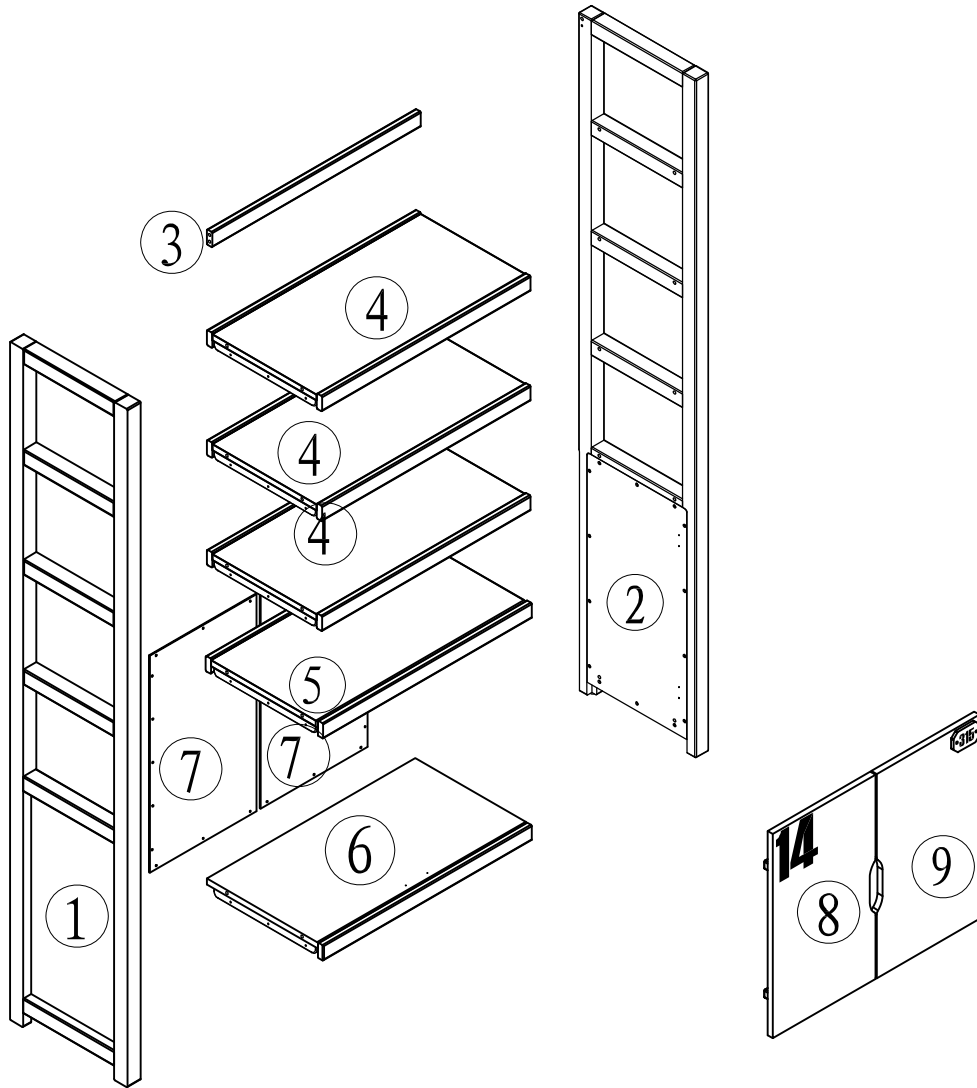
Deken Debostraat 70a B-8791 Beveren-Leie

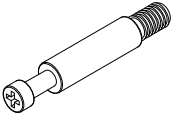

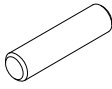
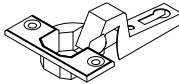
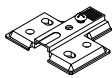
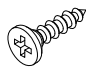

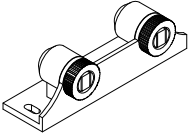
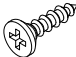
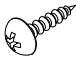




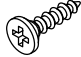
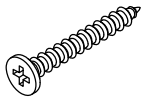
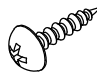
ALEX BOOKCASE AXBI2219

MONTAGE AANWIJZING
NOTICE DE MONTAGE
MONTAGE ANLEITUNG
ASSEMBLY INSTRUCTIONS

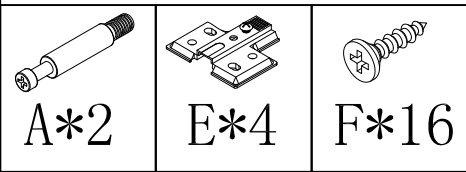
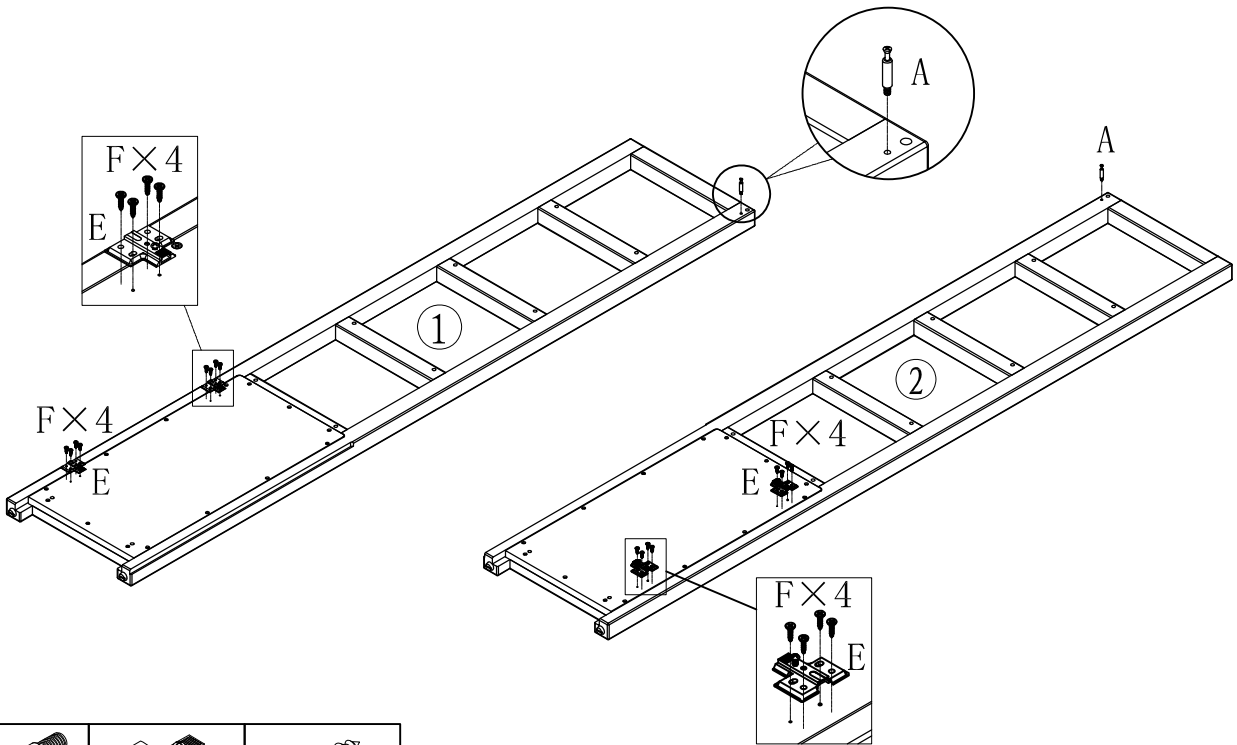


RB00174-1

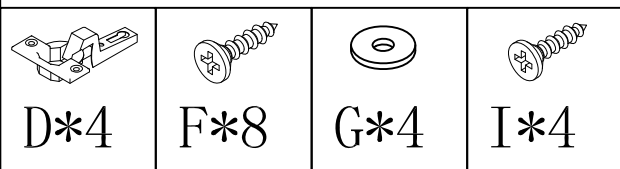
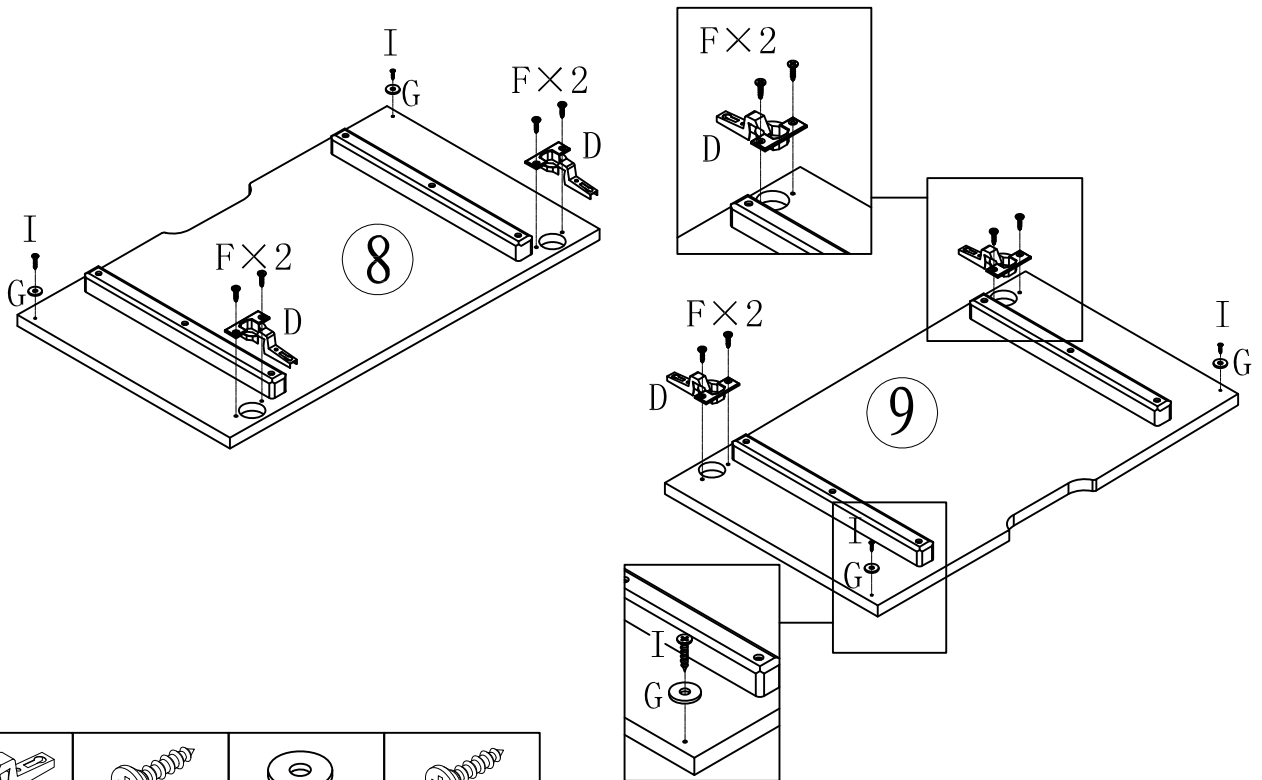


					
($\varnothing 15$)	($\varnothing 15$)	($\varnothing 8 \times 30\text{mm}$)			($\varnothing 3.5 \times 15\text{mm}$)
A \times 2	B \times 2	C \times 22	D \times 4	E \times 4	F \times 24
					
G \times 4	H \times 2	($\varnothing 3.0 \times 12\text{mm}$)	($\varnothing 3.0 \times 12\text{mm}$)	($\varnothing 6 \times \varnothing 18$)	(L=608mm)
		I \times 4	J \times 4	K \times 2	L \times 1
					
M \times 1	N \times 1	($\varnothing 3.5 \times 15\text{mm}$)	($\varnothing 3.5 \times 30\text{mm}$)	($\varnothing 3.0 \times 15\text{mm}$)	
		O \times 1	P \times 31	Q \times 22	

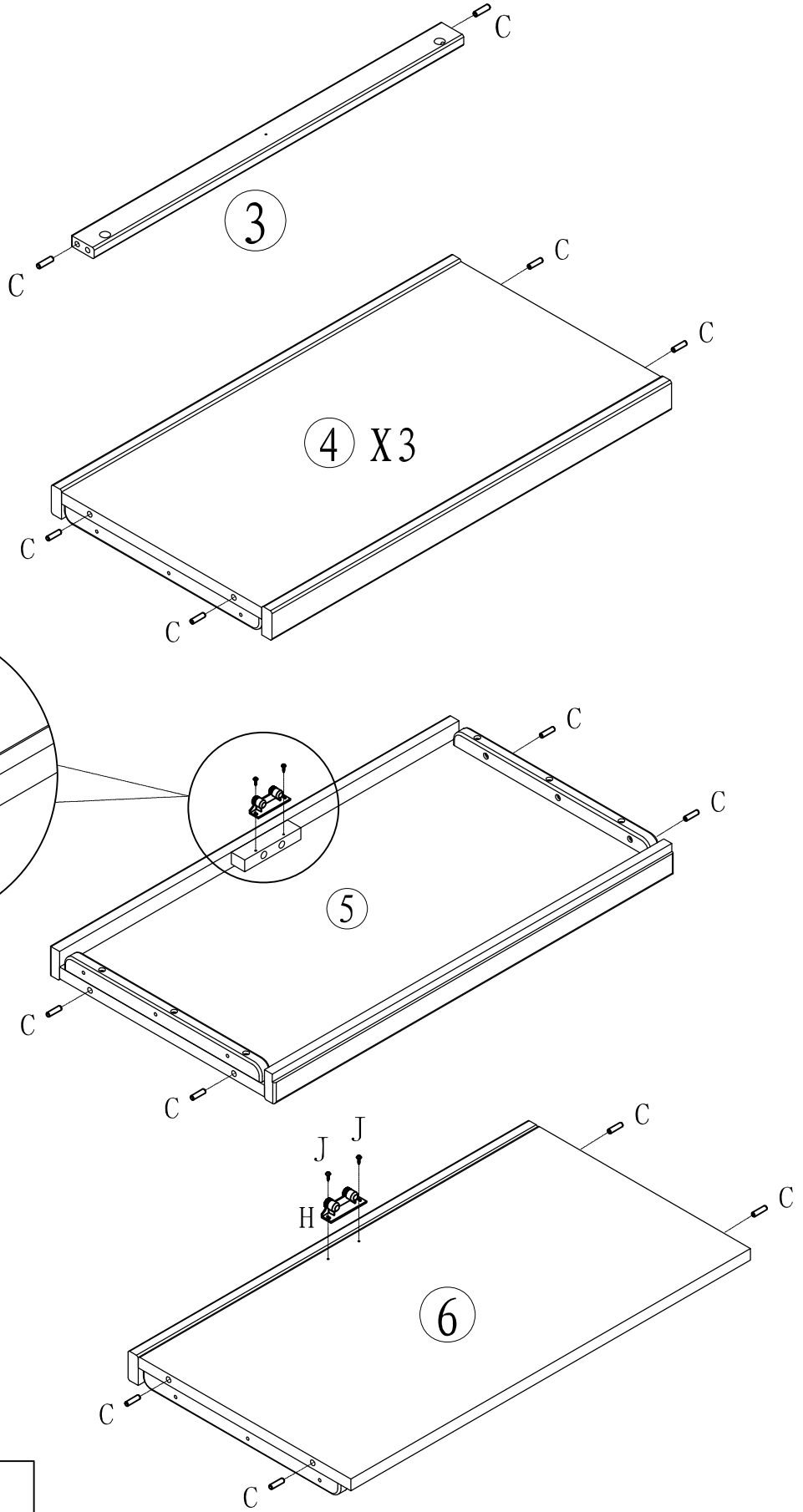
1

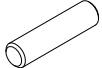
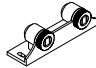



2

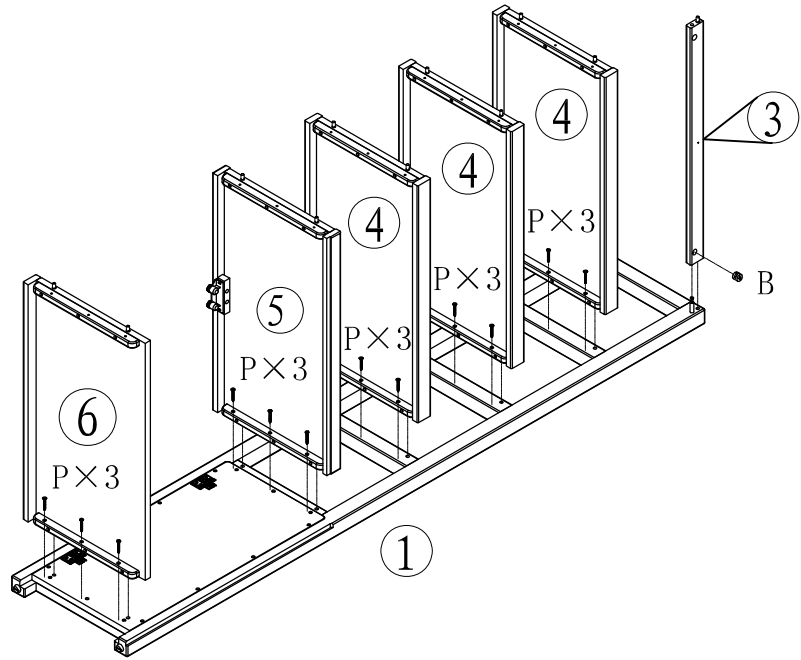


3



		
C*22	H*2	J*4

4

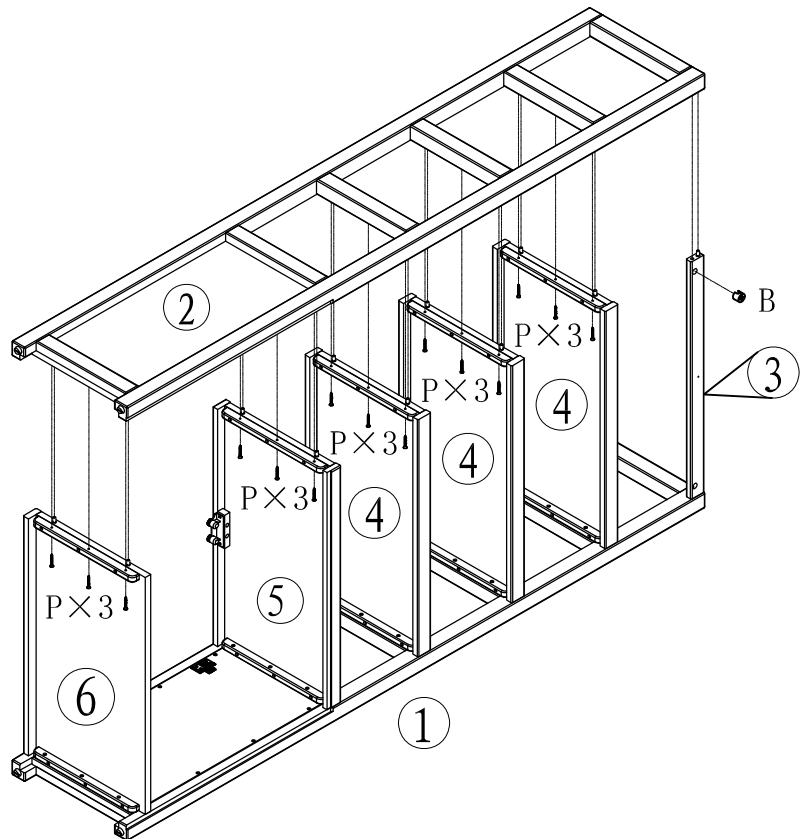


B*1

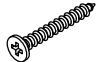


P*15

5

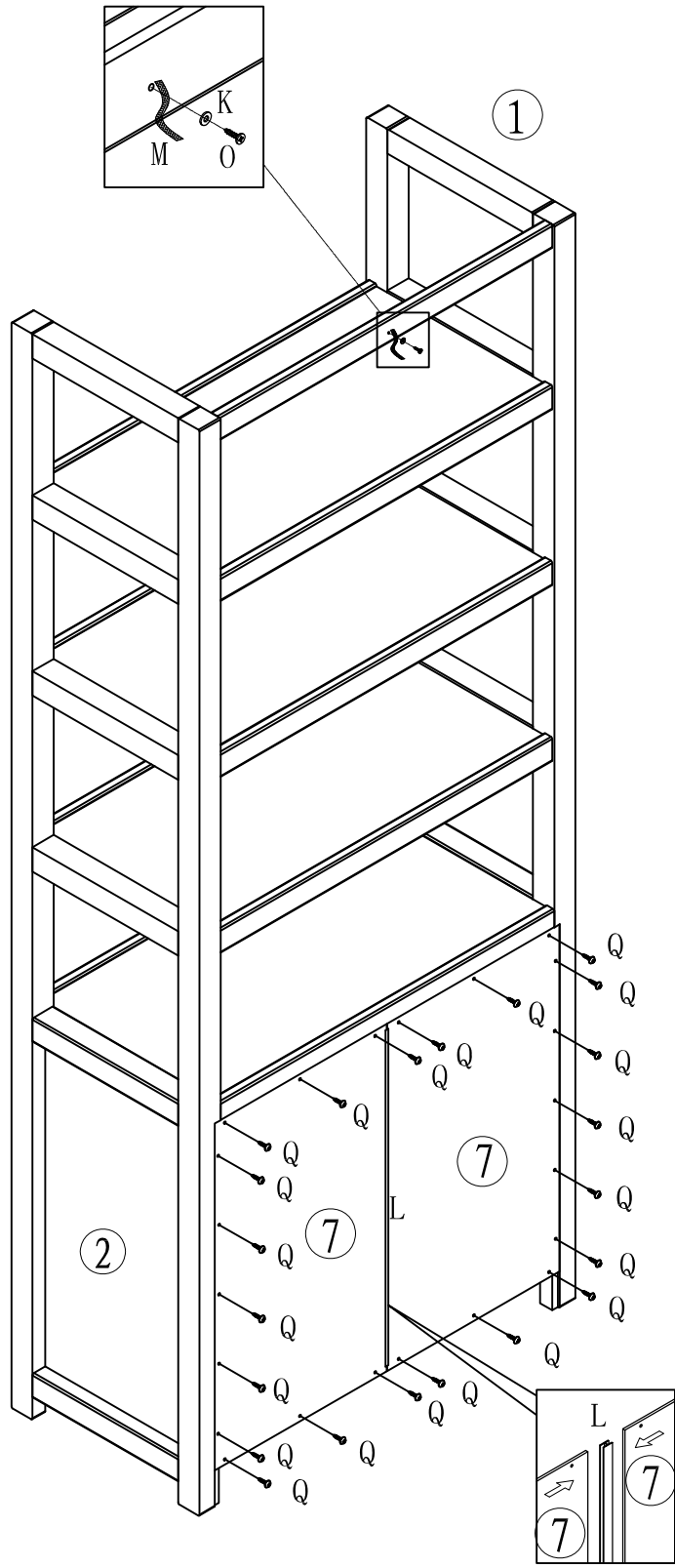







B*1



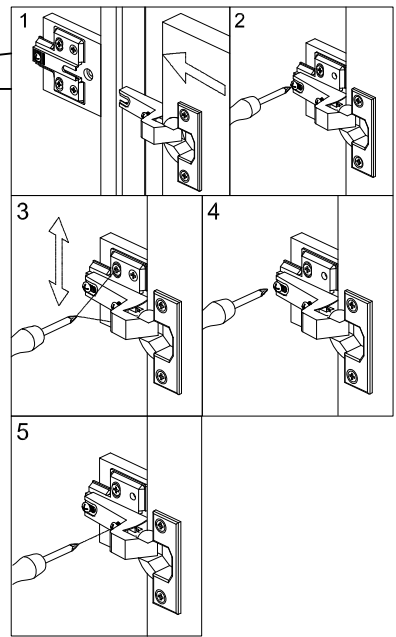
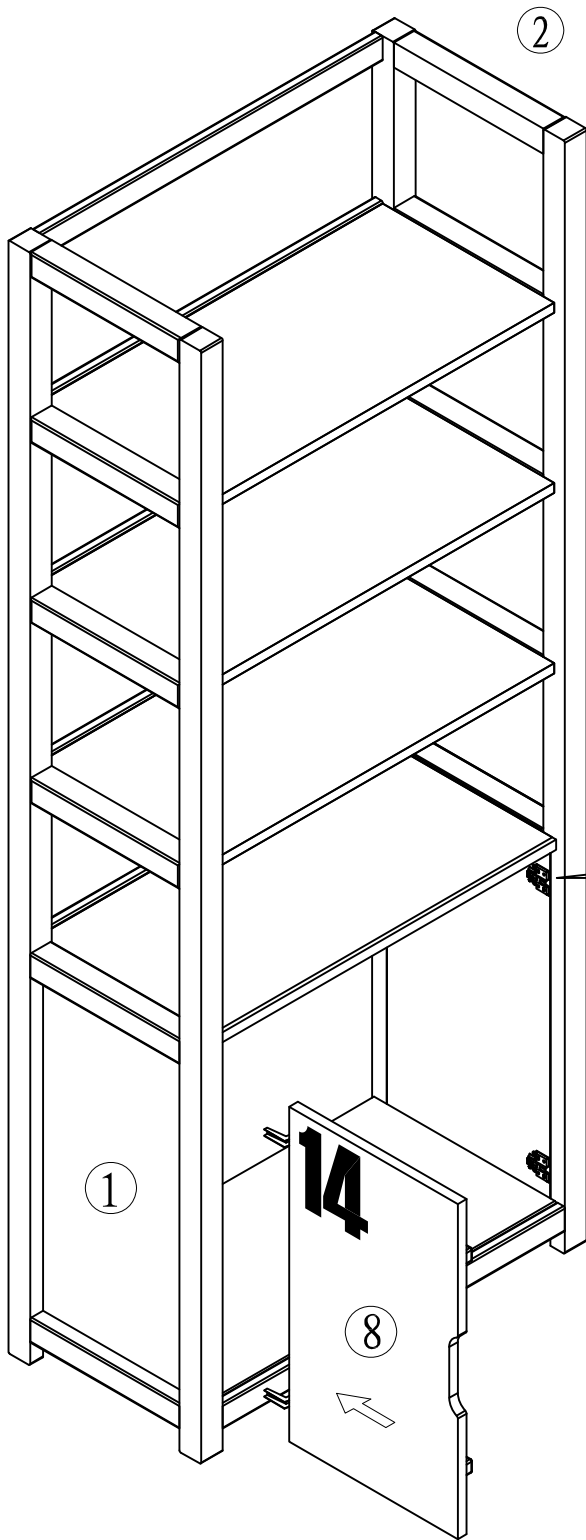
P*15

6

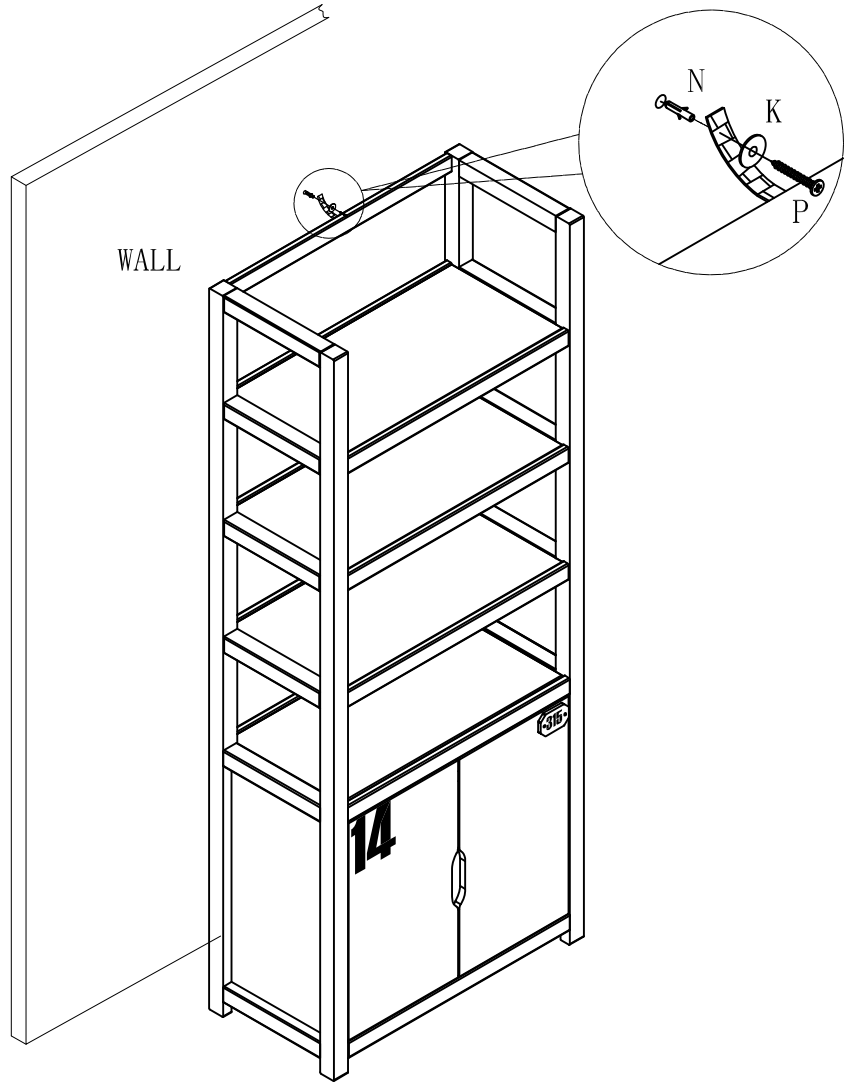


 K*1	 L*1	 M*1	 O*1	 Q*22
--	--	--	--	---

7



8

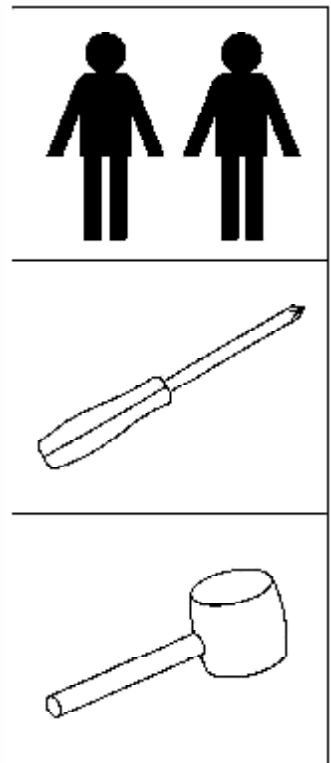
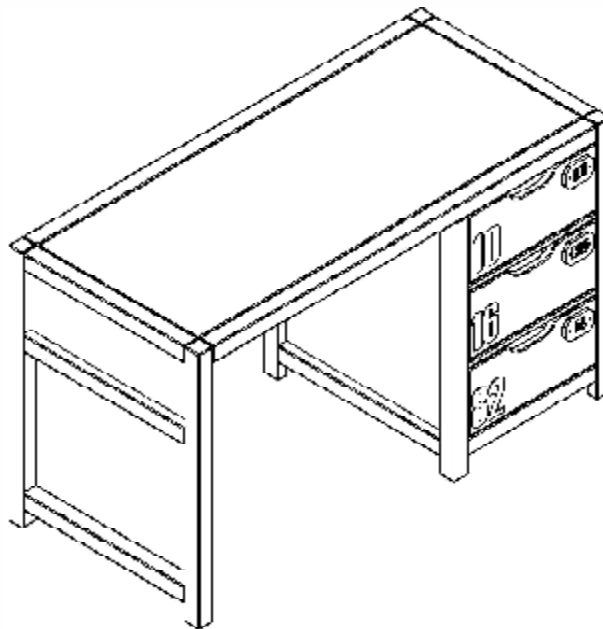


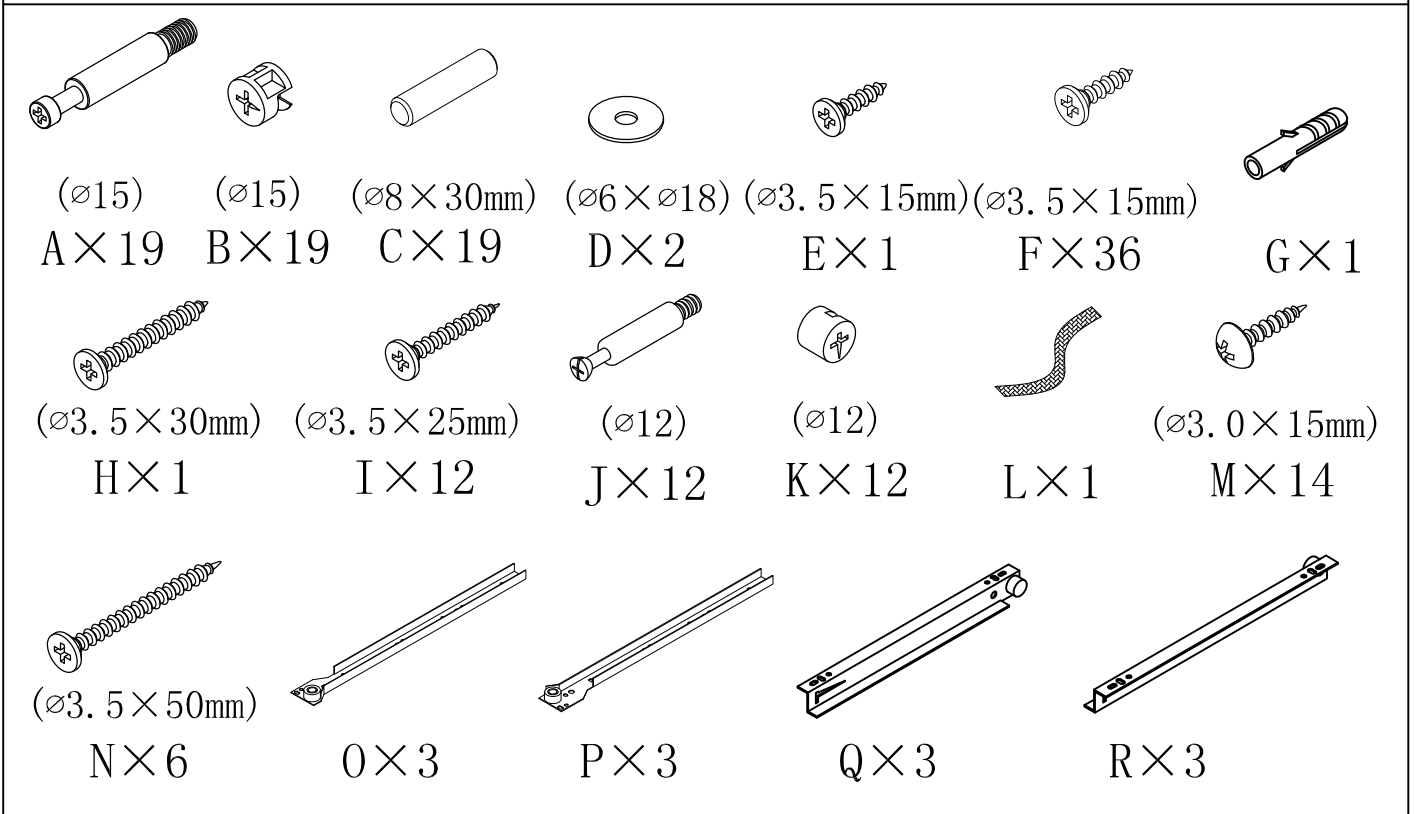
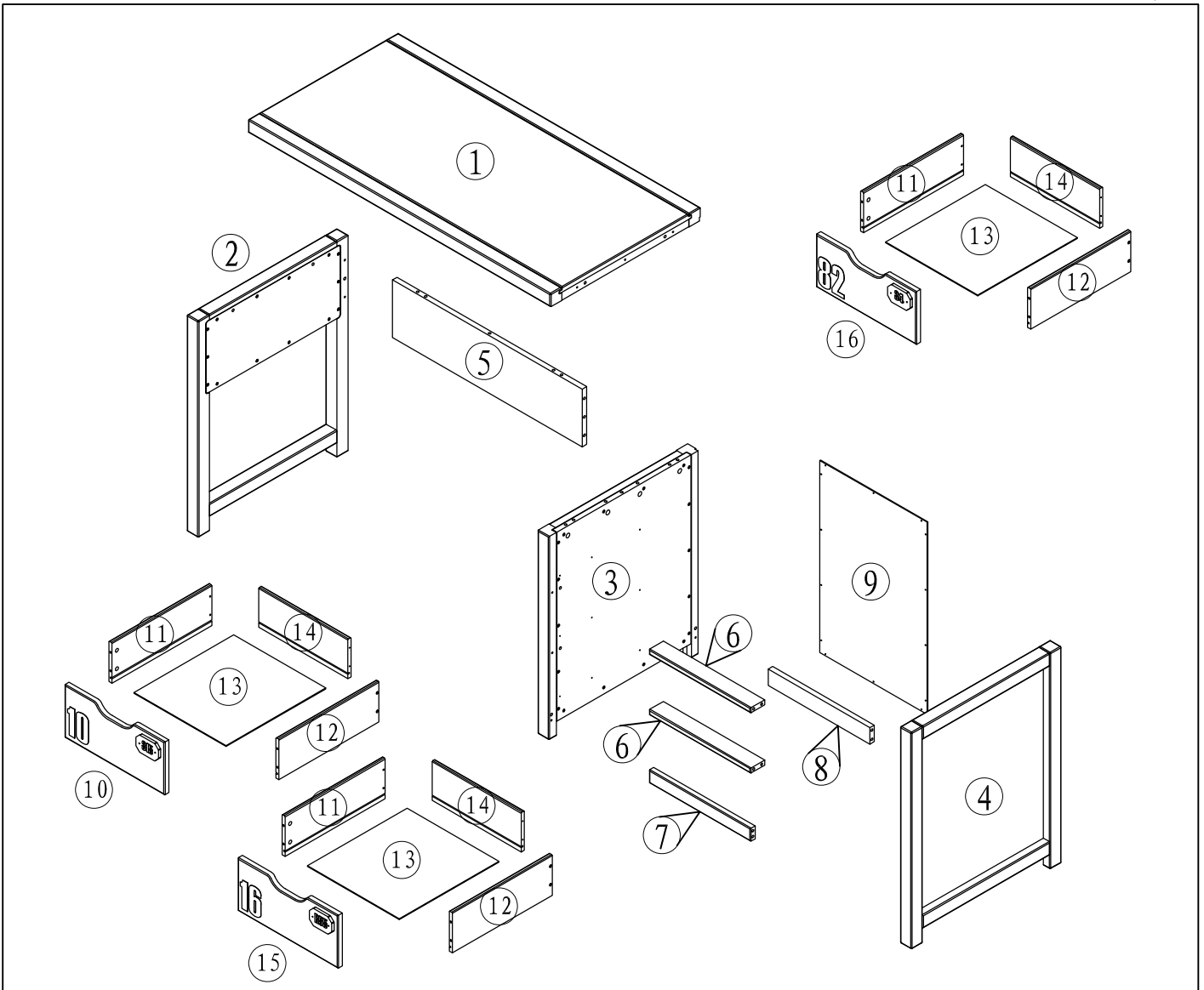
		
K*1	N*1	P*1

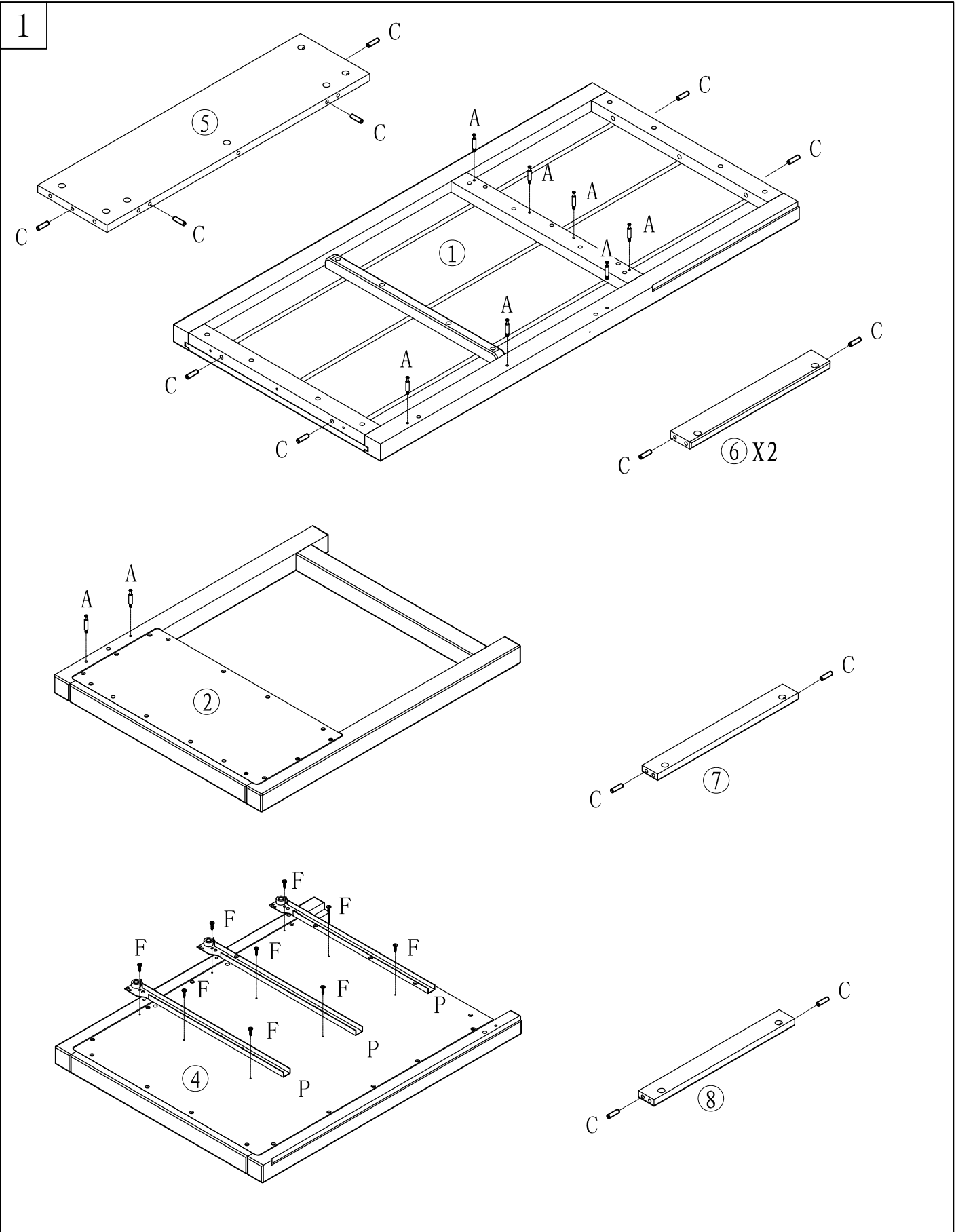
ALEX DESK

AXBU1319

MONTAGE AANWIJZING
NOTICE DE MONTAGE
MONTAGE ANLEITUNG
ASSEMBLY INSTRUCTIONS

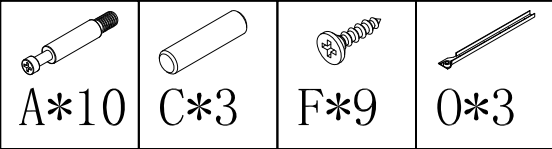
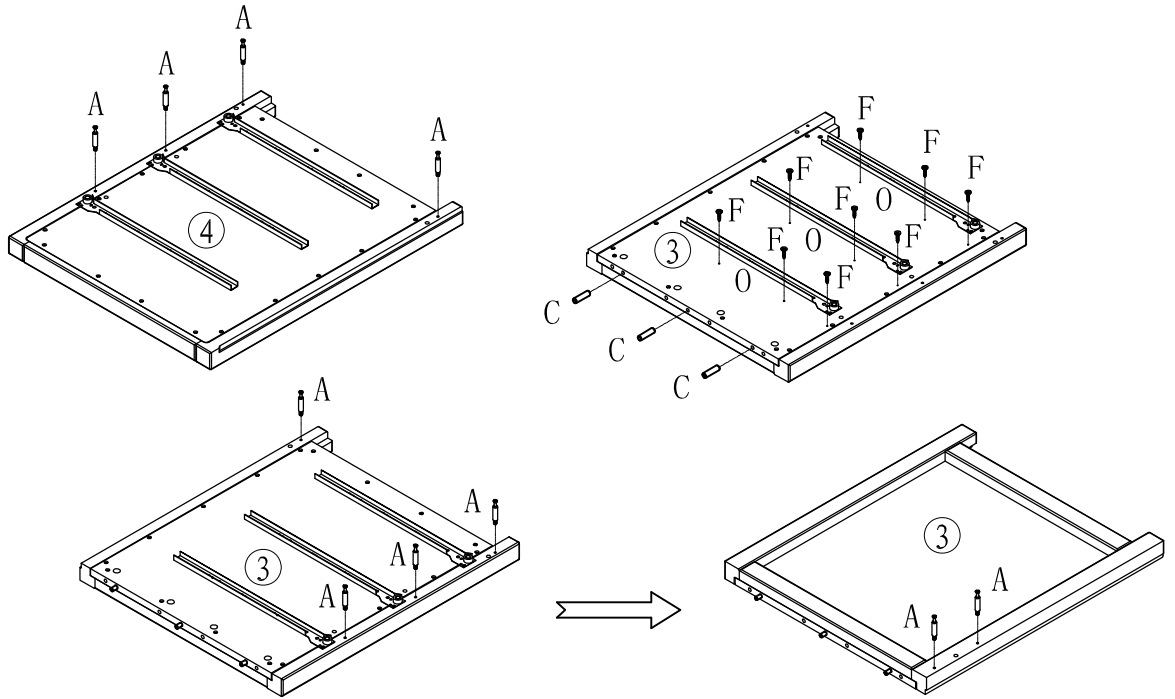




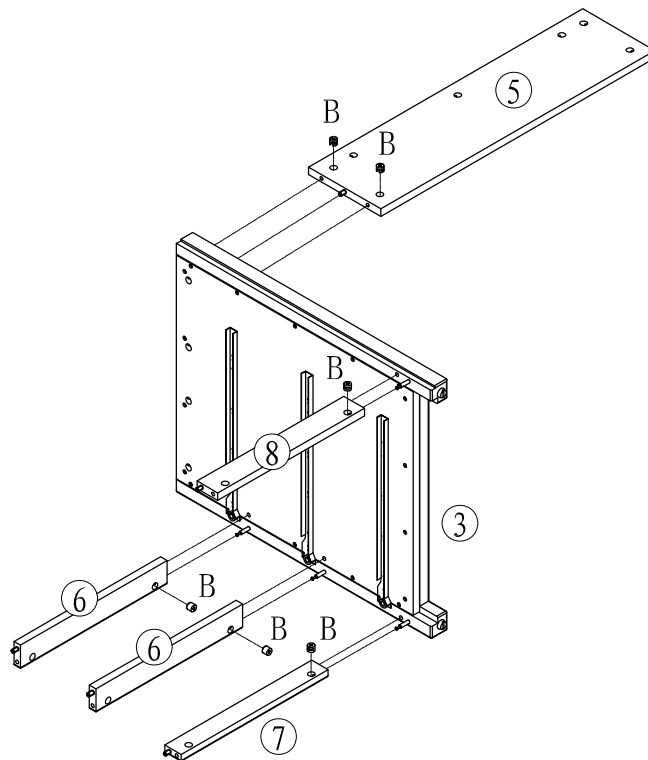


A*9	C*16	F*9	P*3

2

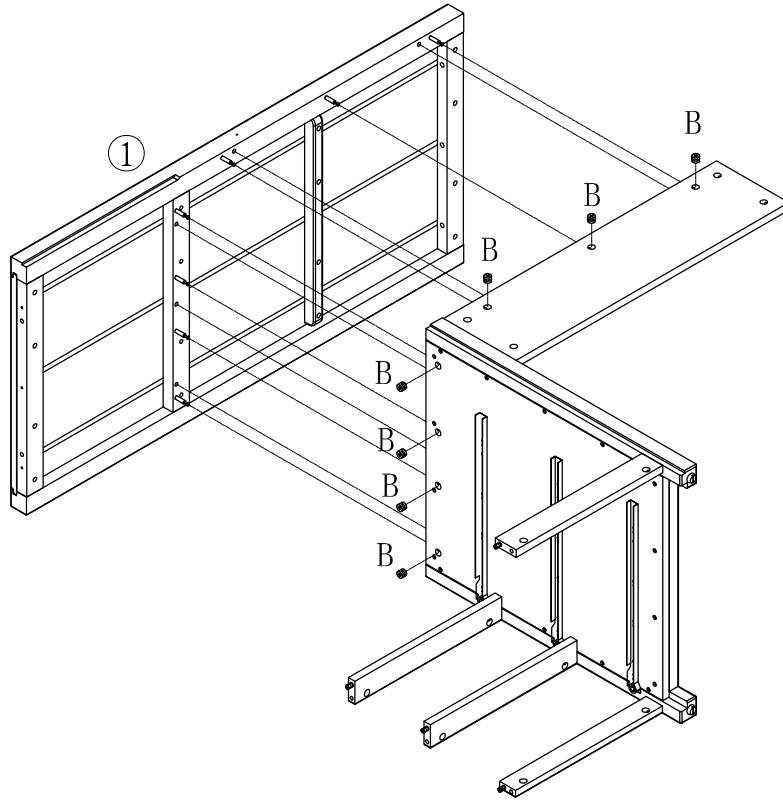


3



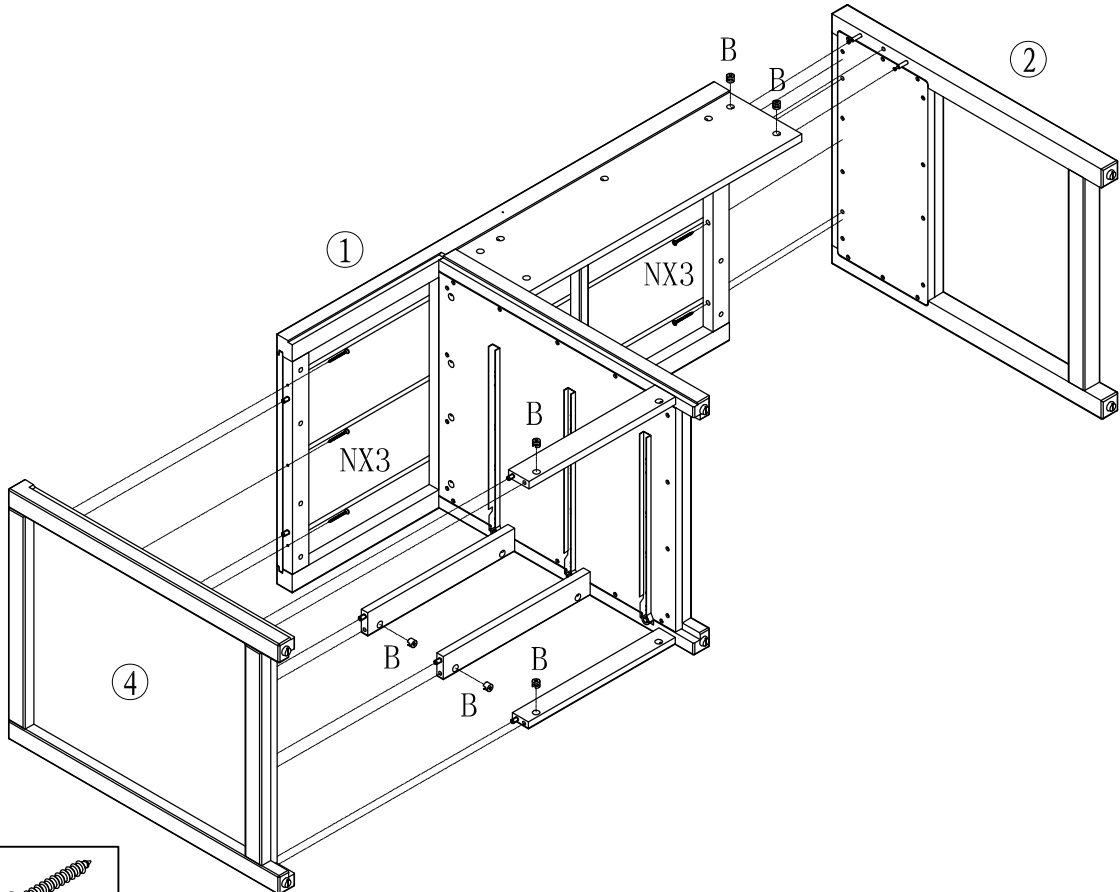
B*6

4



B*7

5

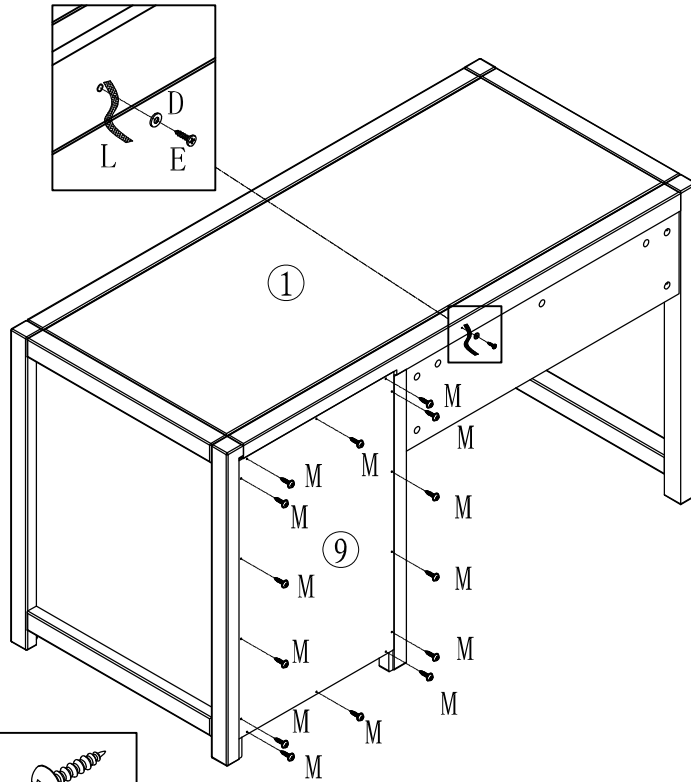






B*6



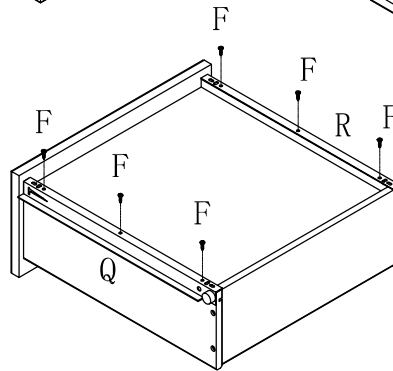
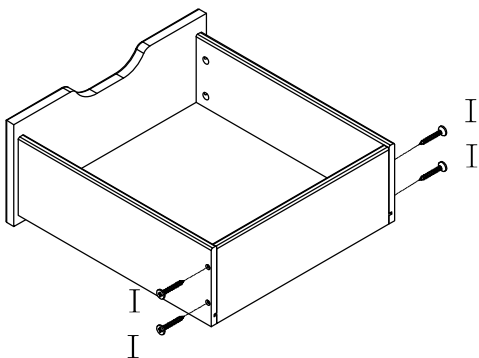
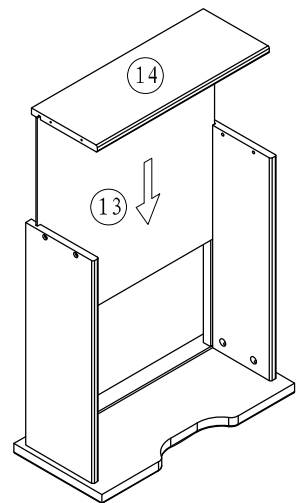
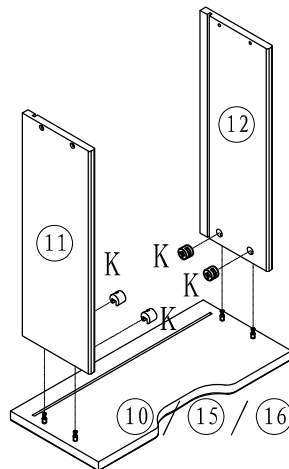
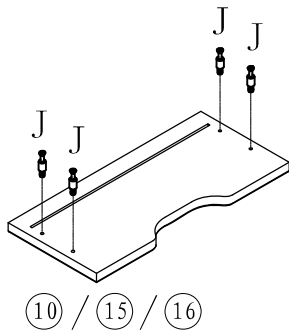
N*6

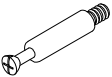

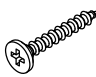
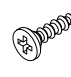


6



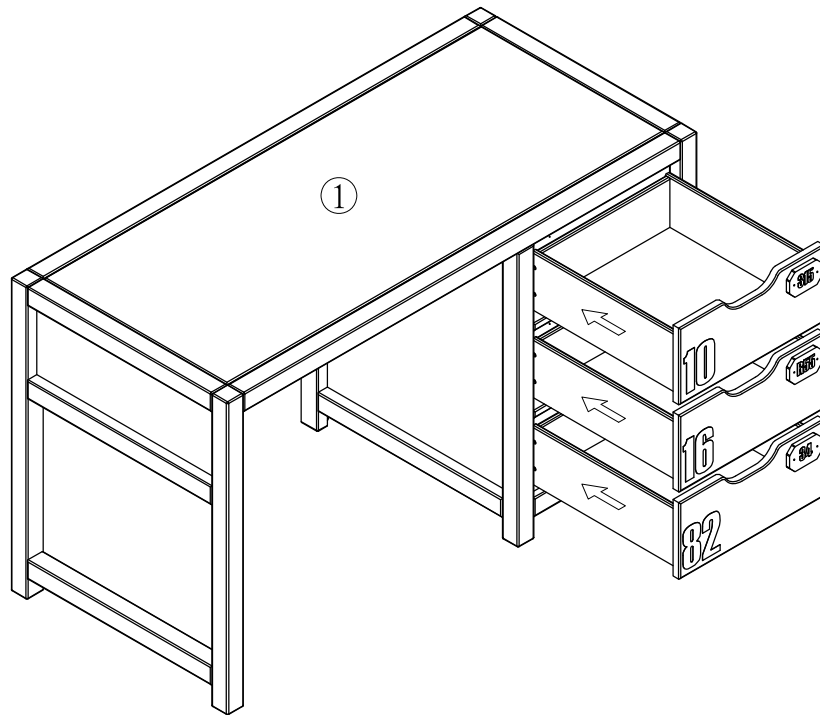
			
D*1	E*1	L*1	M*14

7

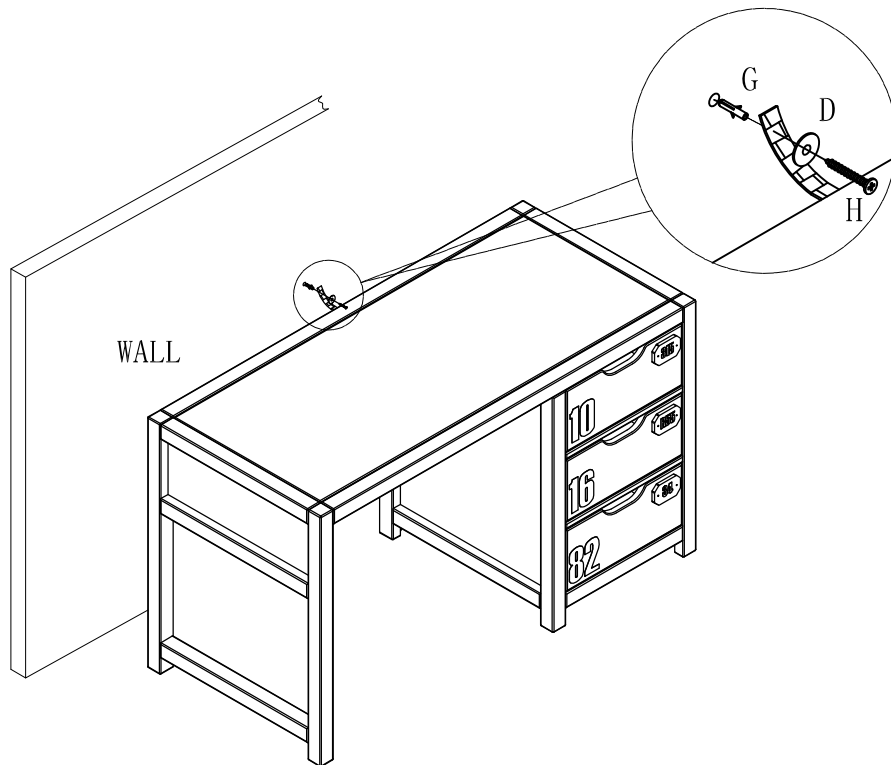


					
J*12	K*12	I*12	F*18	Q*3	R*3

8



9



		
D*1	G*1	H*1