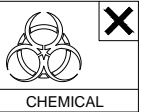
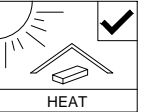




SOFT, DRY CLOTH



CHEMICAL



HEAT



KEEP DRY



HANDLE WITH CARE



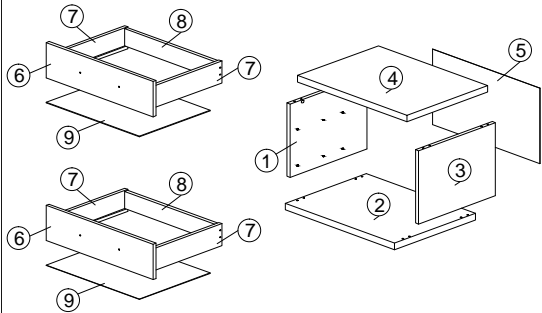
DO NOT USE KNIFE

ASSEMBLY INSTRUCTION

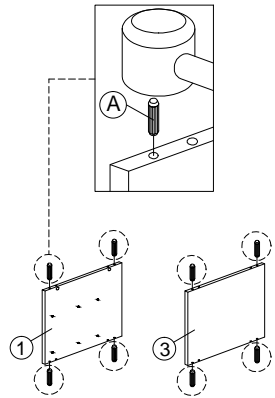
MODEL : BST 5029-S5 - ERIKA NACHTTAFEL / TABLE DE NUIT

HARDWARE	A PLASTIC DOWEL M8X25 1X8	B CB SCREW M3.5X12 1X24	C CB SCREW M4X25 1X8	D CB SCREW M4X35 1X16	E CSK CAP M6X50 1X4	F POWER NAIL 6/8 1X40	G HANDLE VSC15 - PVC (192MM) 1X2	G2 P/H SCREW M4X40 1X4	H MINIFIX 5654 4 SETS	I CAP 1X4	J IP 303 PLASTIC ROUND LEG 1X4	K DRAWER SLIDE 14" 2 SETS	L ALLEN KEY 1X1

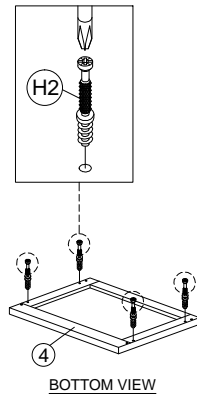
Part List



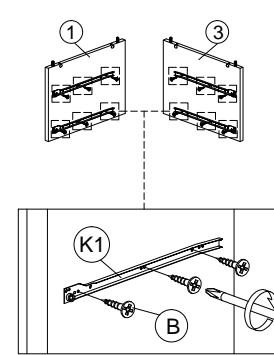
STEP 1 - Dowel fitting



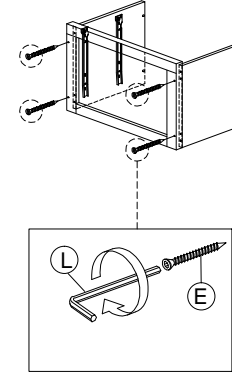
STEP 2



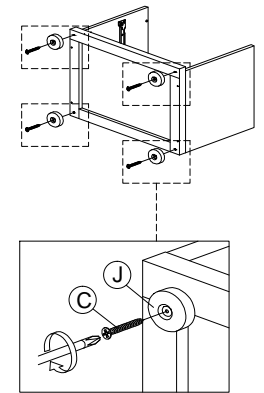
STEP 3



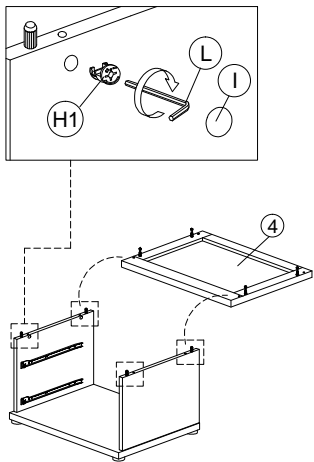
STEP 4



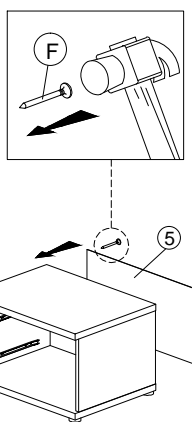
STEP 5



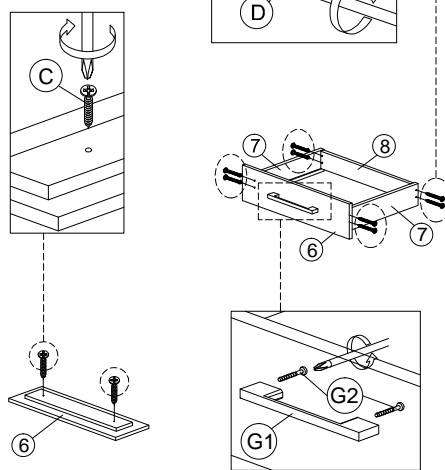
STEP 6



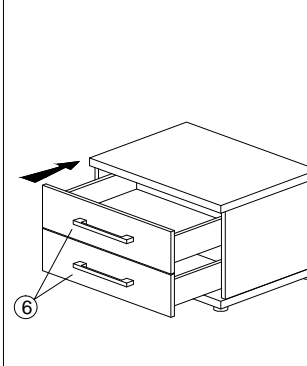
STEP 7



STEP 8



STEP 9



COMPLETED

