

IMPORTANT - READ CAREFULLY - RETAIN FOR FUTURE REFERENCE

Mattress of 90x200 cm is recommended.

Before you begin, please read the assembly instructions carefully. Follow it step by step.

Before assembly of the bed you have to decide on which side (left or right) the ladder and eventually other components is going to be placed.

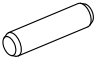

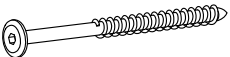



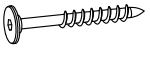

Be aware of the mattress line on the ladder side. Please ensure that the mattress does not extend above the mattress line.




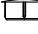


We recommend that a periodic check is made, to ensure that guard rails, ladder and other components are in correct position, that they are in good condition and that the fittings are tight. The bed should not be used if any structural part is broken or missing.

Be aware of the danger of young children (under 6) falling from the upper bunk!

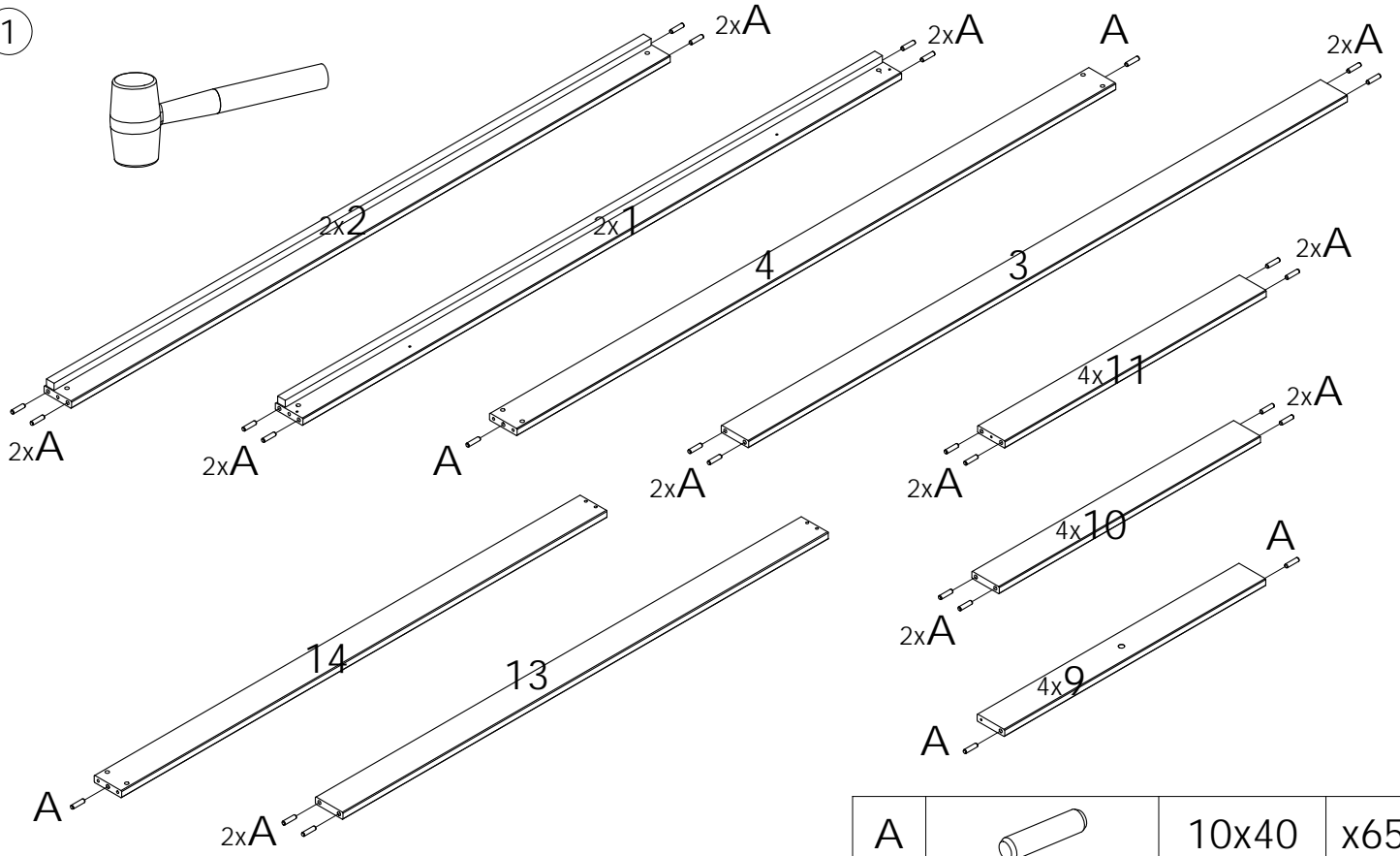
Children can strangle in items such as ropes, strings, cords, harnesses and belts attached to hung on a bunk bed.

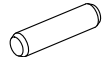
Children can become trapped between the bed and the wall. To avoid of risk of serious injury the distance between the top safety barrier and the wall shall not exceed 75 mm or shall be more than 230 mm.

A		10x40	x69
B		15x80	x8
C		6,3x105	x16
D		M6x100	x14
E		M6x10x13	x14
F		7x50	x12
G			x8
H		3,5x40	x60

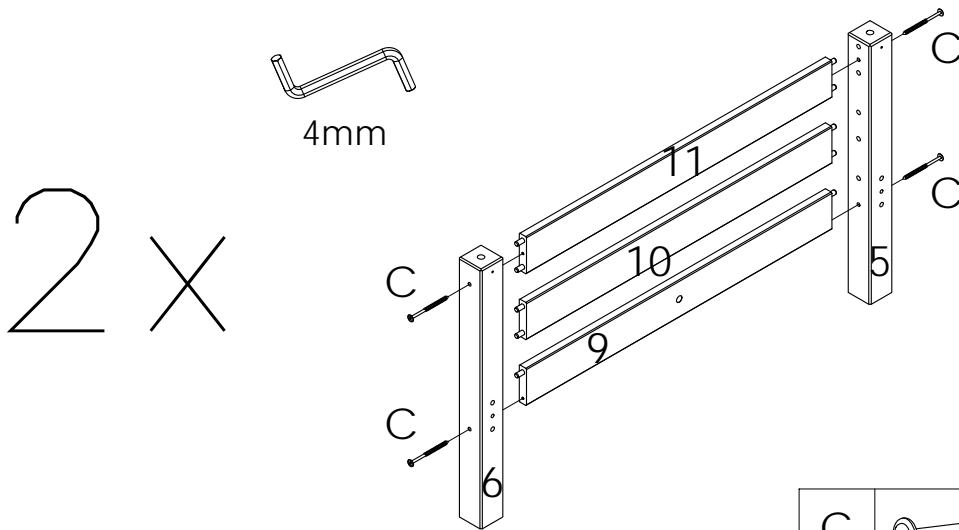
J		5x30	x3
K		D8x13	x8
L		D10x15	x6
M		D15x18	x4
N		4mm	x1
P			x1

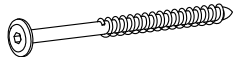
1



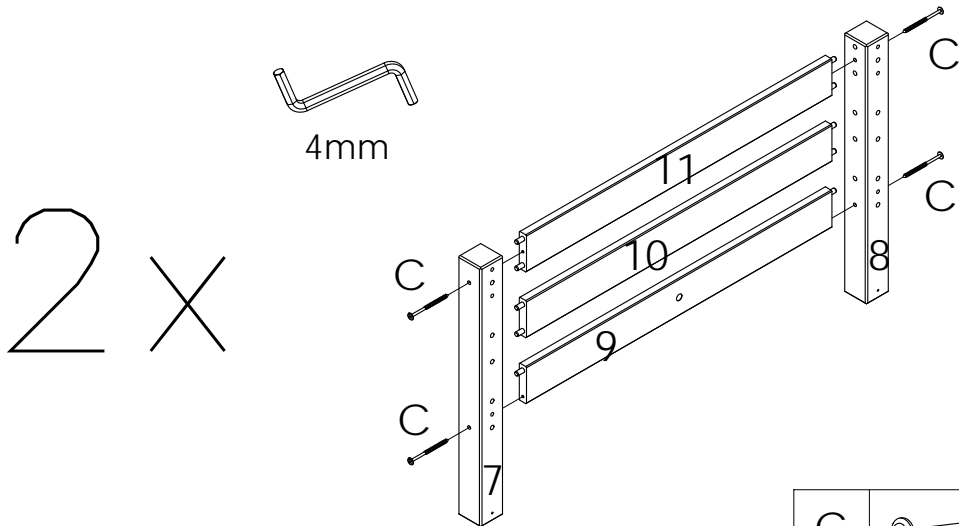
A		10x40	x65
---	---	-------	-----

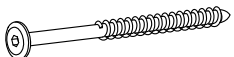
2



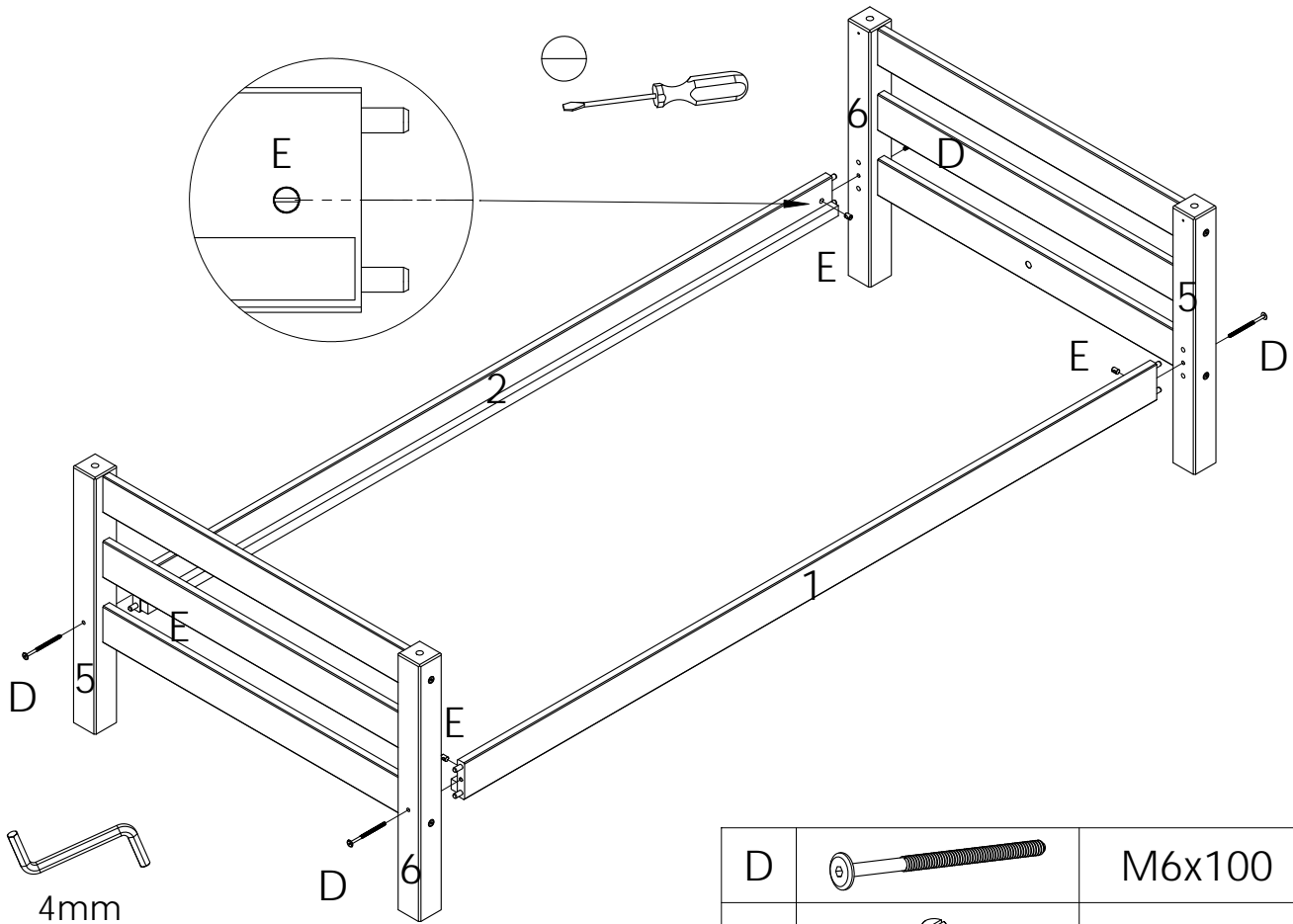
C		6,3x105	x4
---	---	---------	----



3



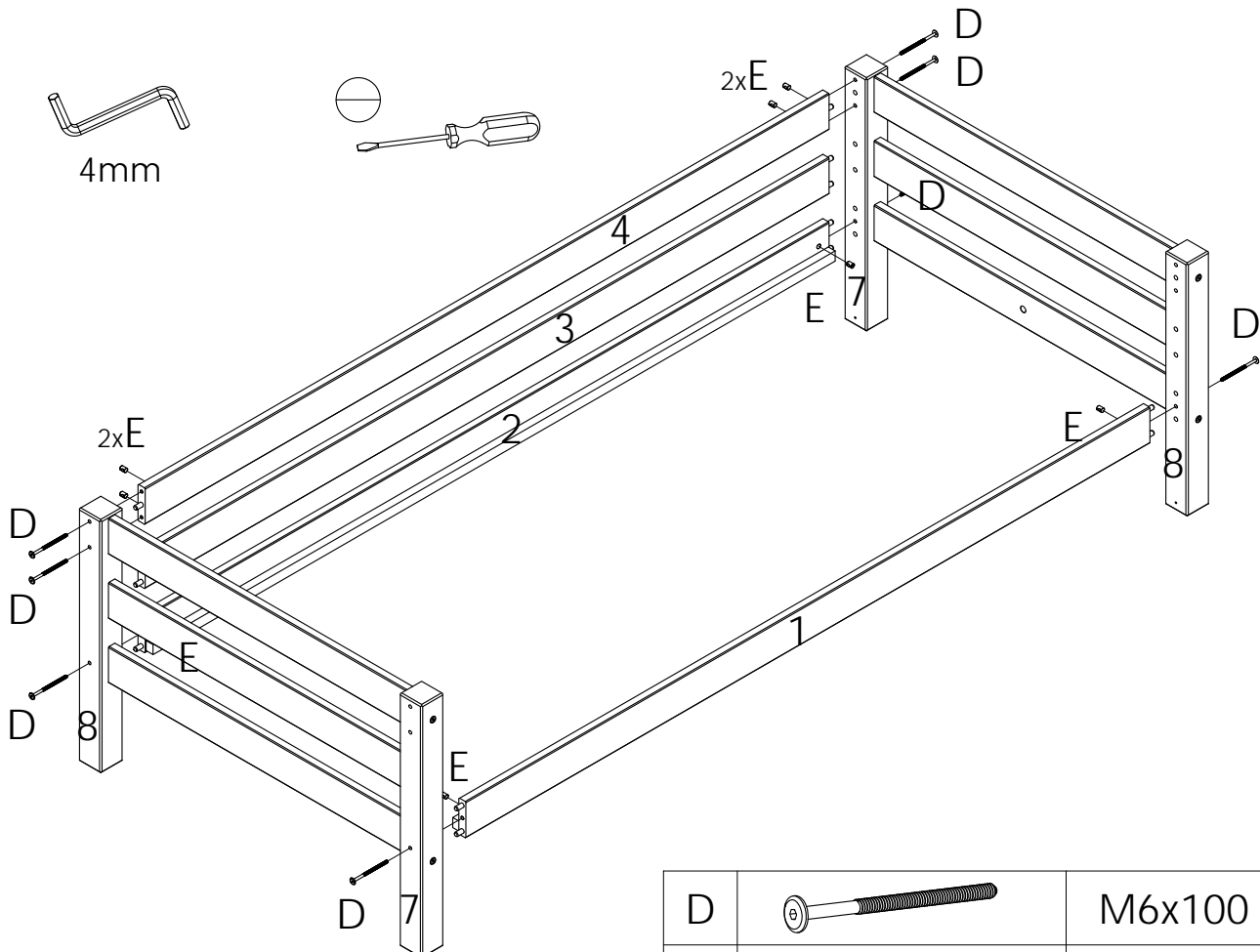
C		6,3x105	x4
---	---	---------	----



4



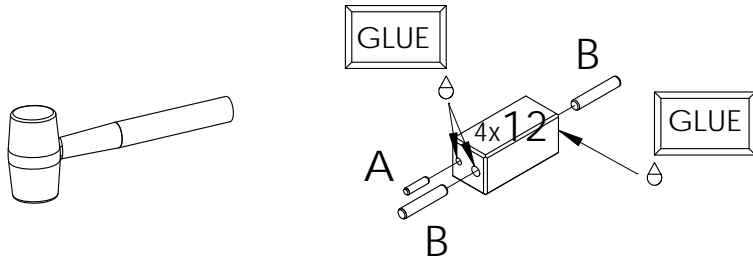
D		M6x100	x4
E		M6x10x13	x4

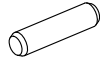

5



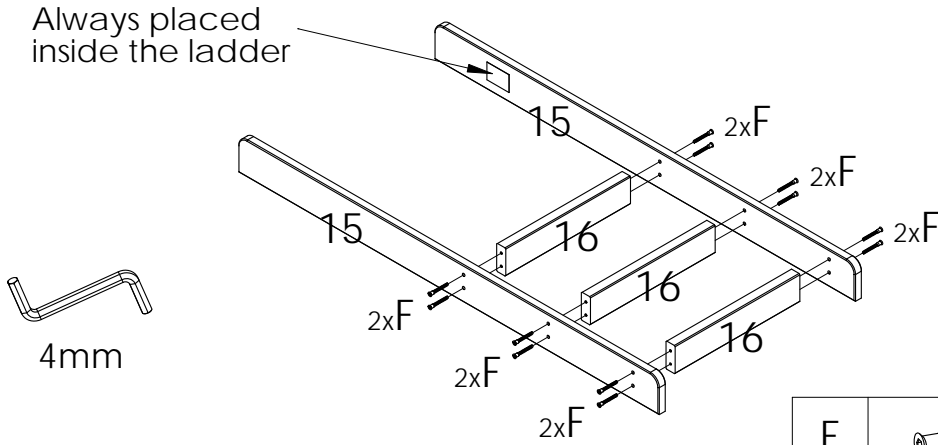
D		M6x100	x8
E		M6x10x13	x8

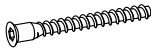
6



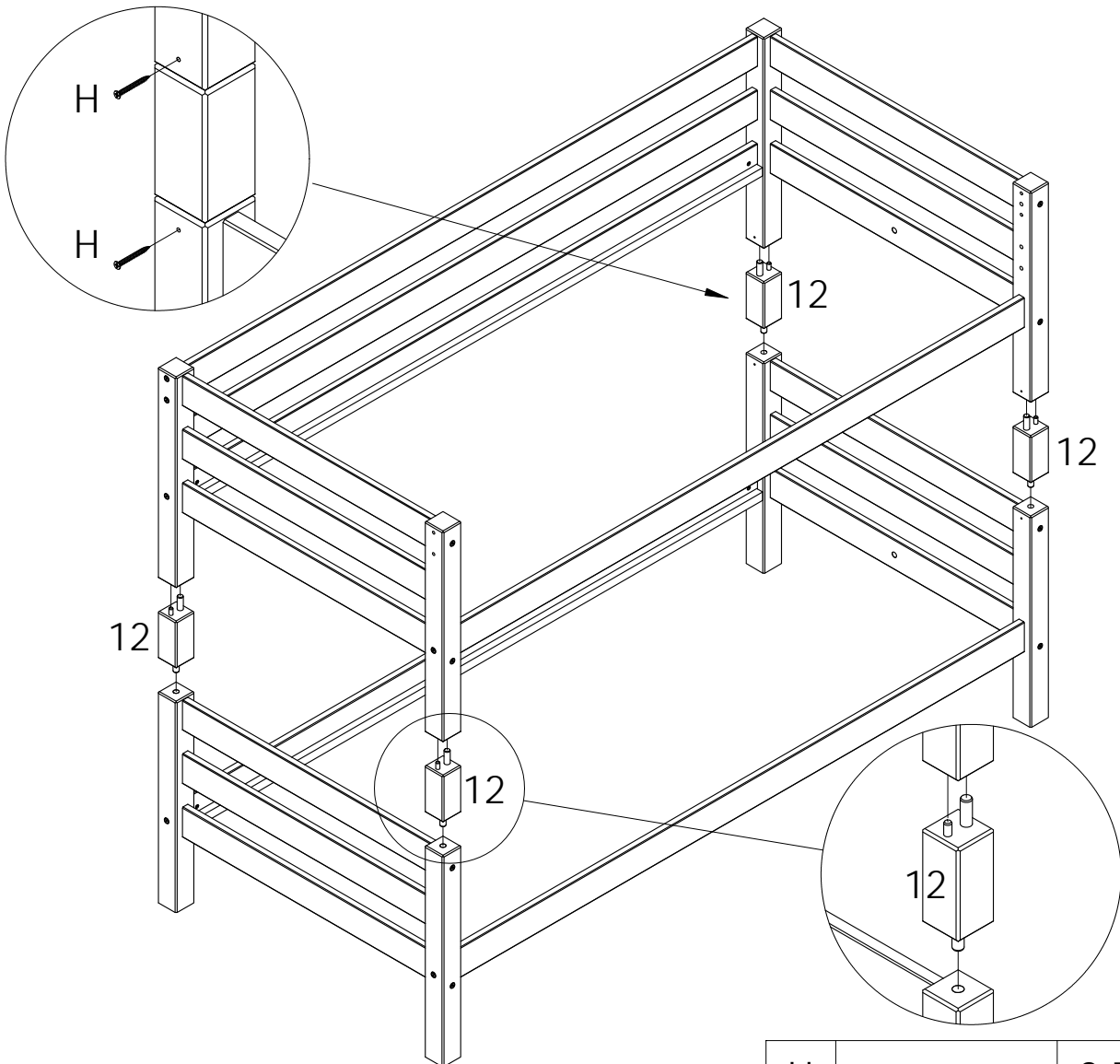
A		10x40	x4
B		15x80	x8

7



F		7x50	x12
---	---	------	-----

8

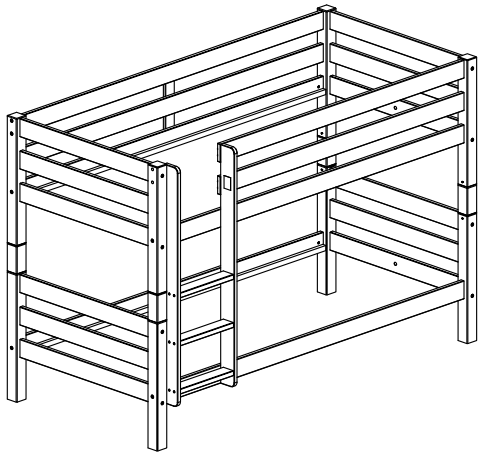


H		3,5x40	x8
---	---	--------	----

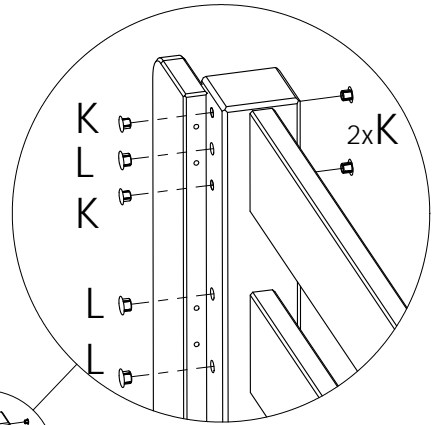
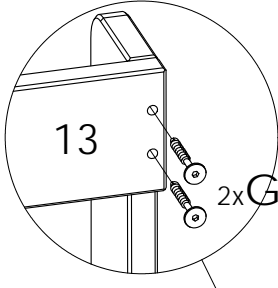
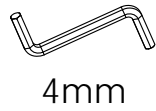
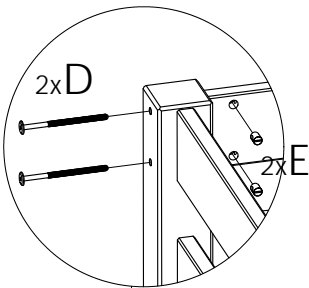
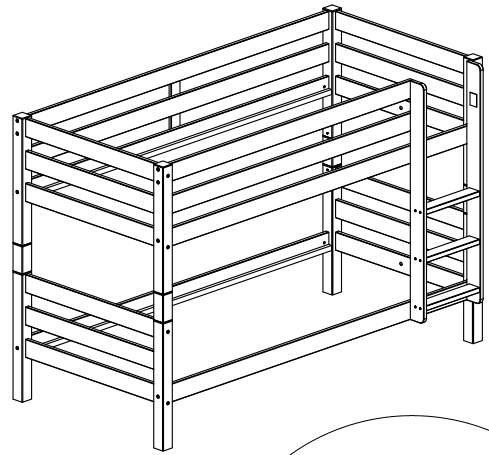
9

Decide which side to attach ladder.

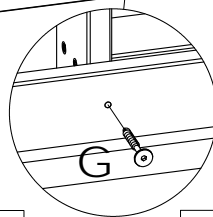
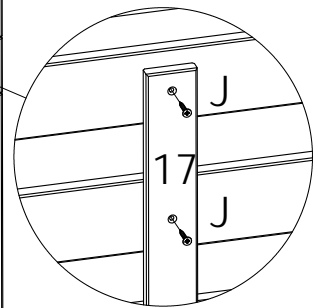
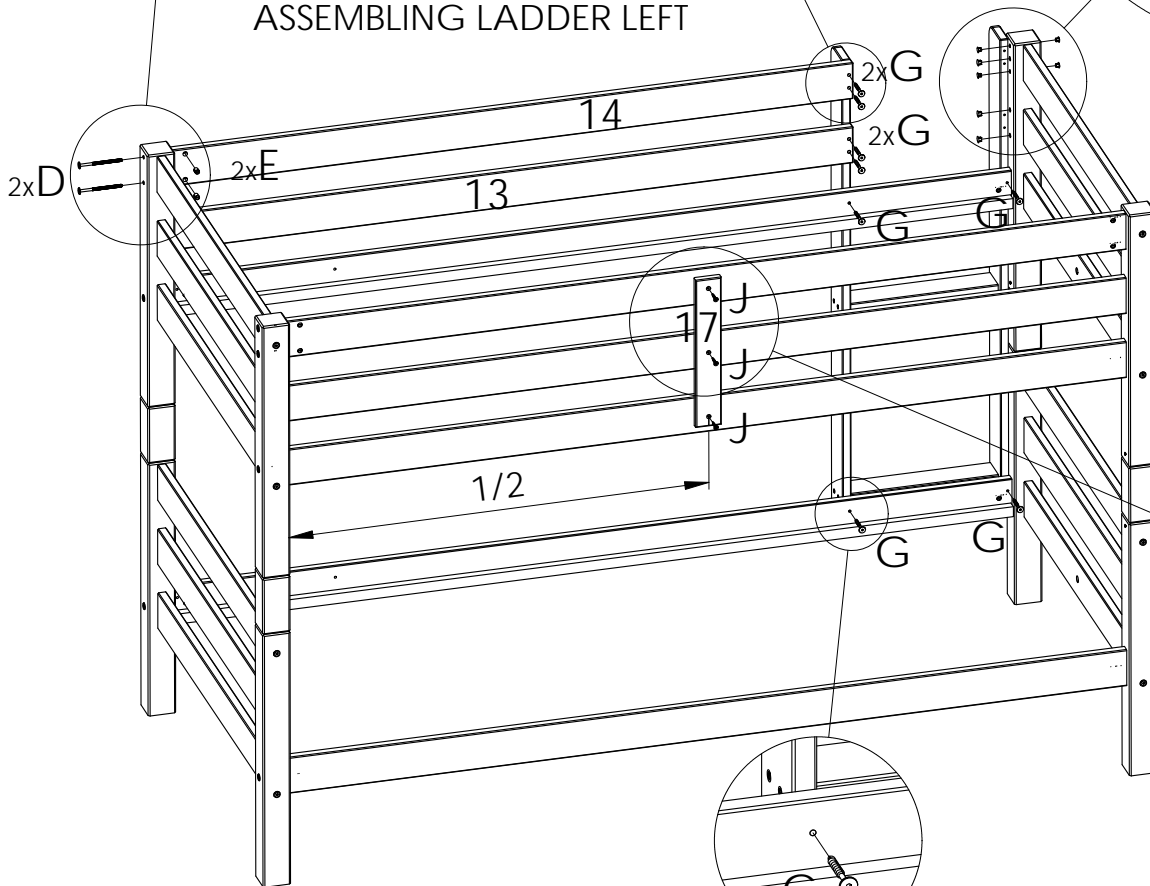
LADDER LEFT



LADDER RIGHT



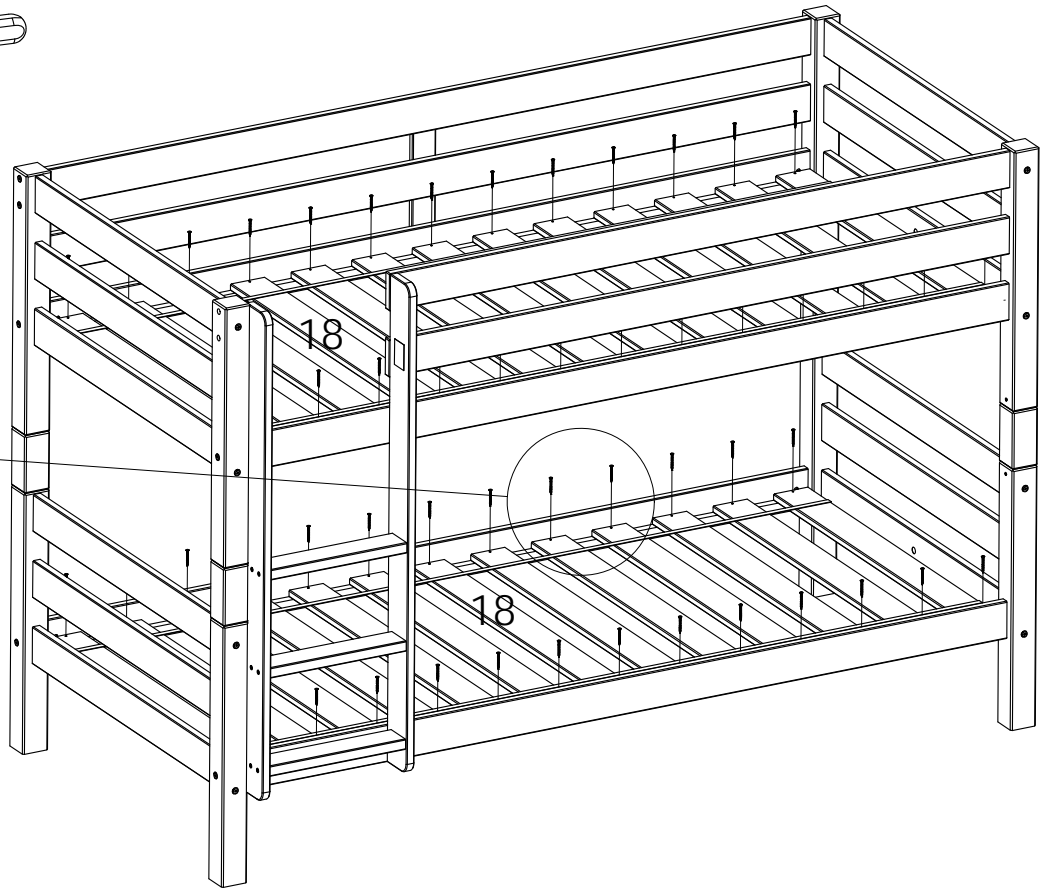
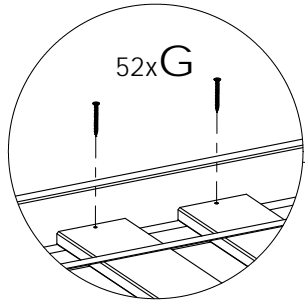
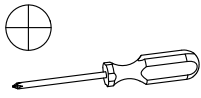
ASSEMBLING LADDER LEFT




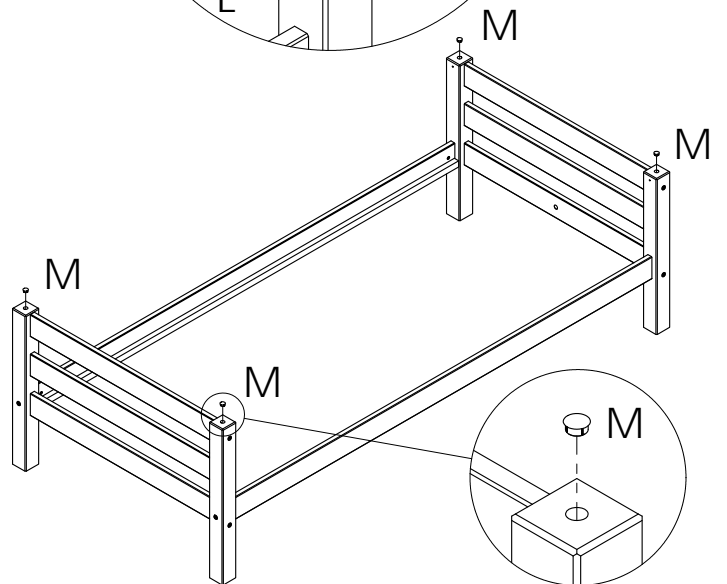
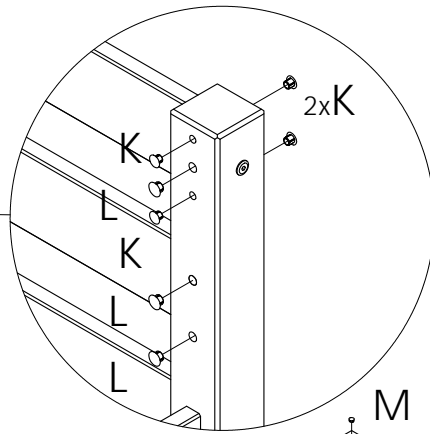
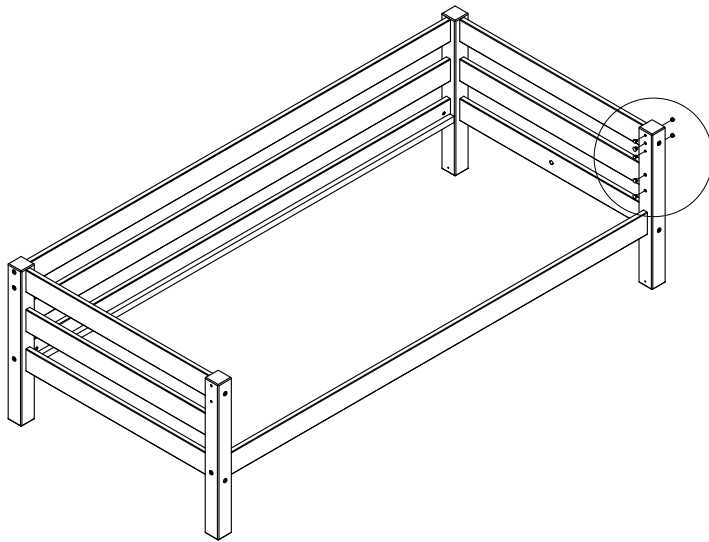
D		M6x100	x2
E		M6x10x13	x2
G		55x12,2x5	x8




J		5x30	x3
K		D8x13	x4
L		D10x15	x3

10



H		3,5x40	x52
---	---	--------	-----



K		D8x13	x4
L		D10x15	x3
M		D15x18	x4