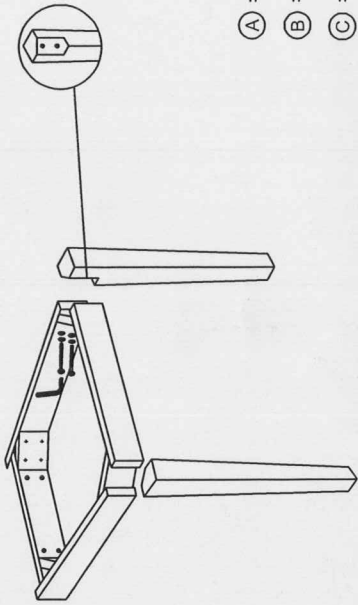


ASSEMBLING INSTRUCTIONS
NOTICE DE MONTAGE

FLOYD CHAIR

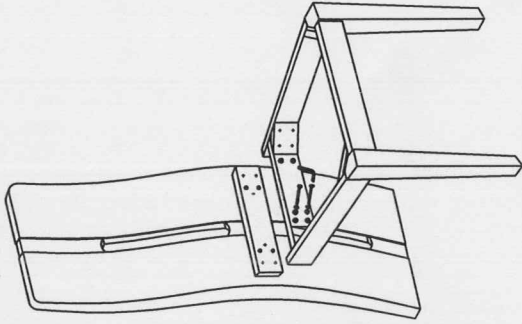


1



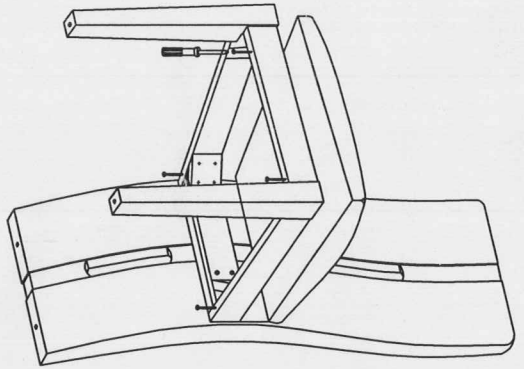
- (A) = 4
- (B) = 4
- (C) = 4
- (E) = 1

2



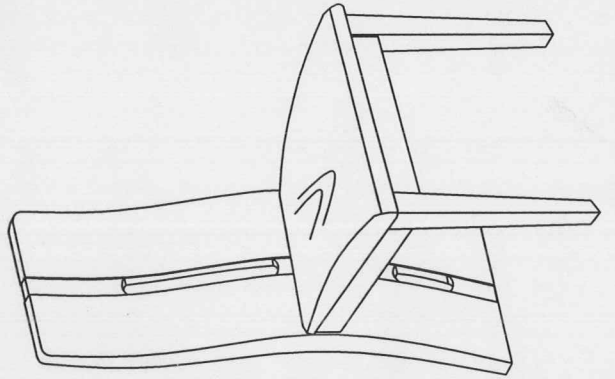
- (A) = 4
- (B) = 4
- (D) = 4
- (E) = 1

3



- (F) = 4

4



(A)



8

(B)



8

(C)



4

(D)



4

(E)



1

(F)



4