

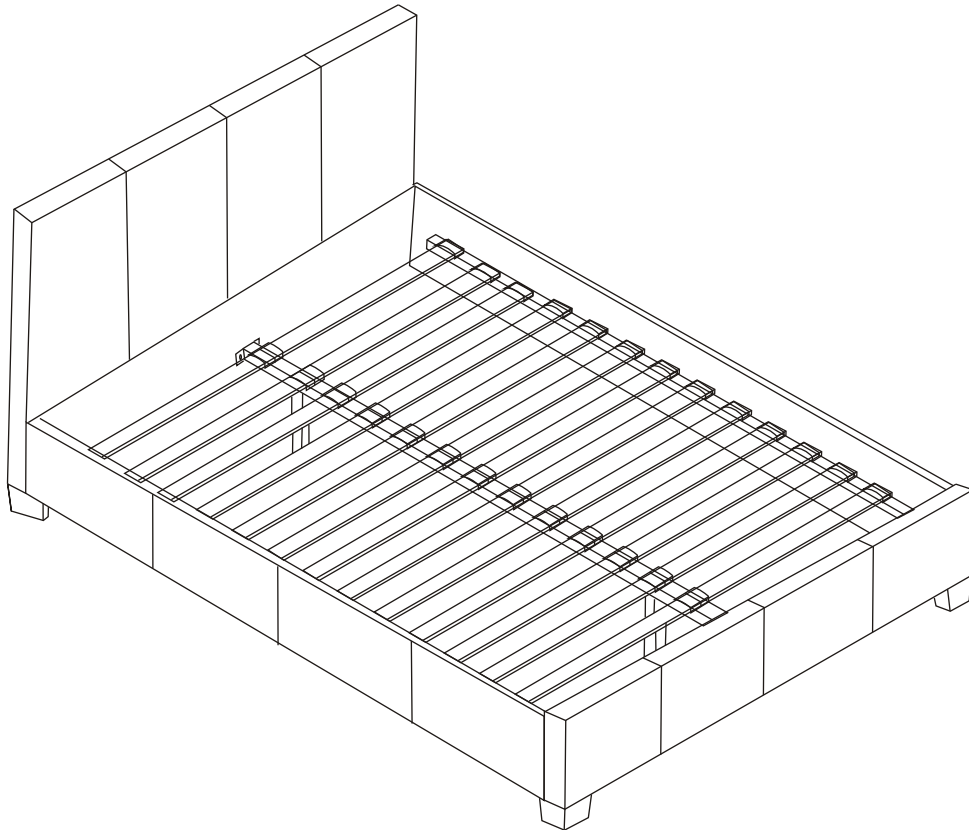
# ASSEMBLY INSTRUCTION

89516

## Important

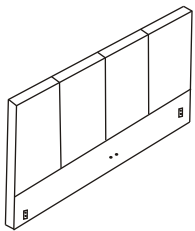
**Please inspect all items carefully before assembling.  
If for any reason you need to return this item,  
you must return it in its original packaging.  
Assembled items cannot be returned**

**IMPORTANT NOTE: \*PLACE ALL PARTS ON A CLEAN AND SMOOTH SURFACE  
SUCH AS A RUG OR CARPET TO AVOID THE PARTS  
FROM BEING SCRATCHED.  
\*KINDLY FOLLOW THE ASSEMBLY INSTRUCTIONS STEP  
BY STEP.  
\*DO NOT TIGHTEN ALL SCREWS UNTIL THE BED IS FULLY  
SET-UP.**

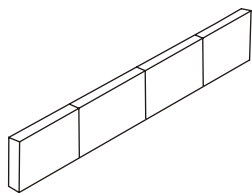


## Part list

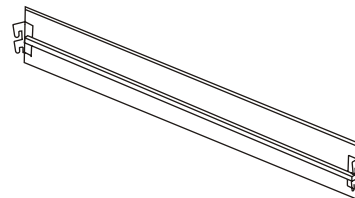
① Headboard 1pc



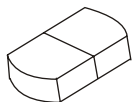
② Footboard 1pc



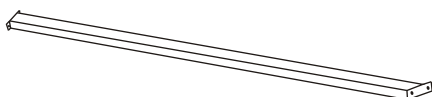
③ Side Rail 2pcs



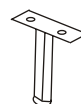
④ Double Plastic Cap 14pcs



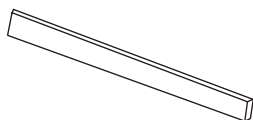
⑤ Centre Support Bar 1pc



⑥ Support Leg 2pcs



⑦ Slat 28 pcs



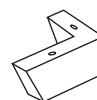
⑧ Single Plastic Cap 28pcs



⑨ Left Leg 2pcs



⑩ Right Leg 2pcs



## Hardware list

A Bolt M8\*30mm 12pcs



B Bolt M8\*40mm 4pcs



C Nut M8\*13mm 4pcs



D Spring Washer 8pcs



E Flat Washer 12pcs



F Allen Key M5 1pc



G Spanner 1pc



H Bolt M8\*50mm 4pcs



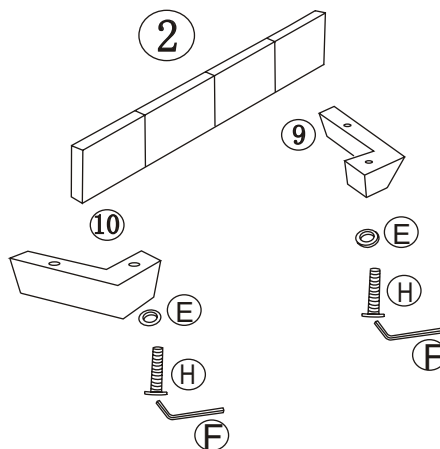
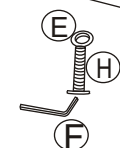
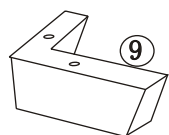
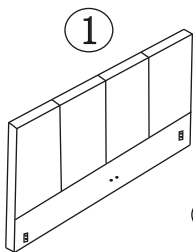
I Screw M4\*70mm 4pcs



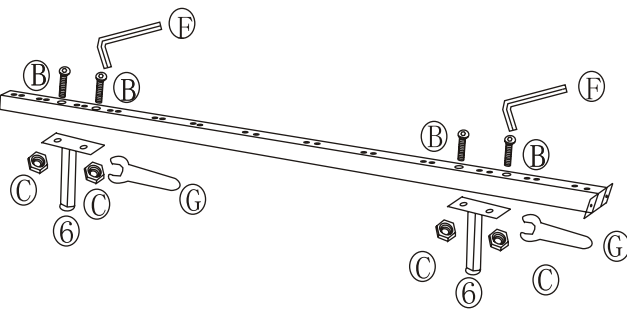
J Screw Driver (not provided)



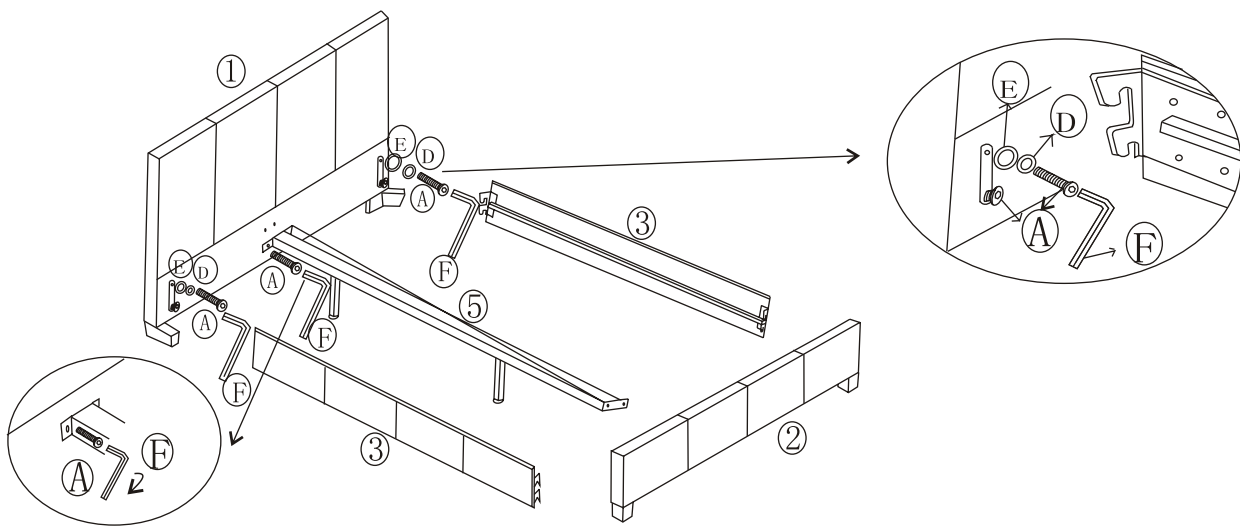
## STEP 1 FIXING LEGS TO HEADBOARD AND FOOTBOARD



## STEP 2 FIXING SUPPORT LEGS TO CENTRE SUPPORT BAR



## STEP 3 FIXING SIDE RAILS AND CENTRE SUPPORT BAR TO HEADBOARD AND FOOTBOARD



## STEP 4 FIXING LEGS TO SIDE RAILS AND FIXING PLASTIC CAPS AND SLATS

