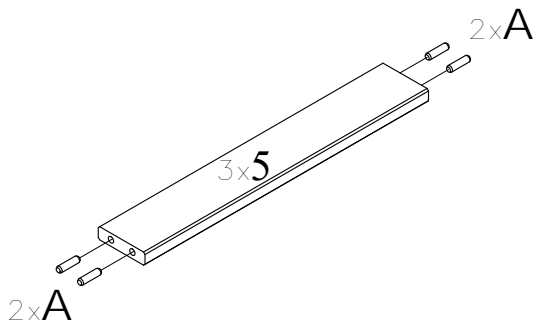
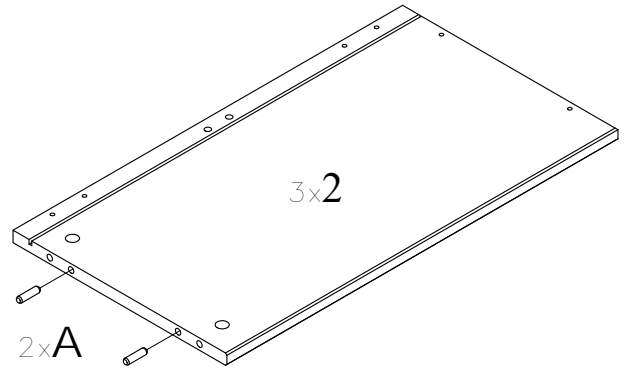
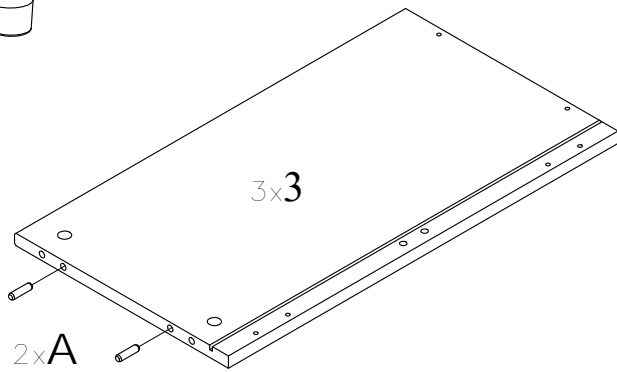
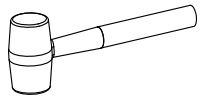
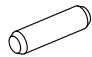


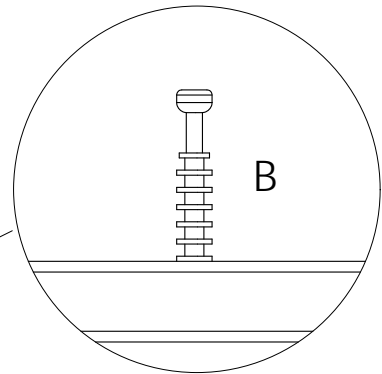
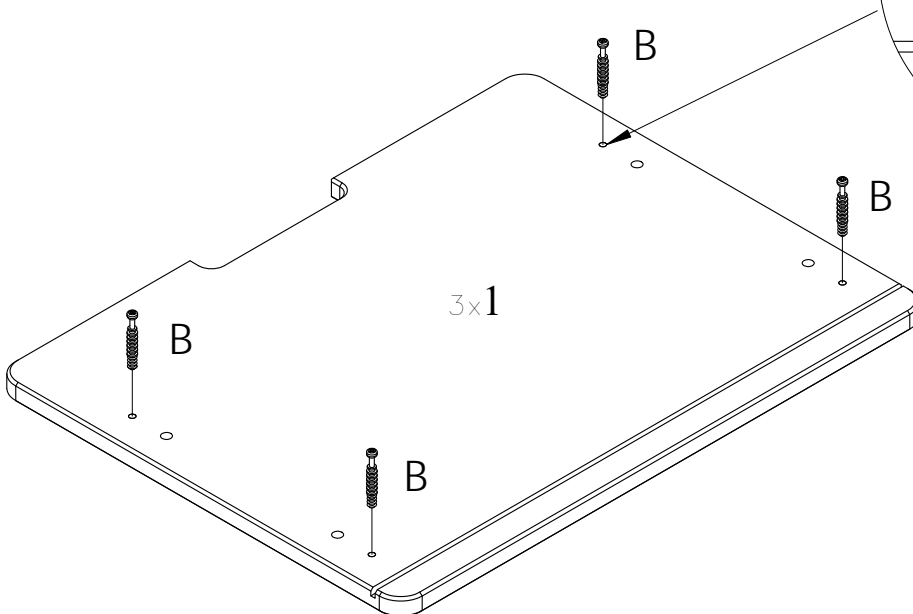
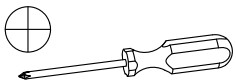
A		8x30	x24
B		7x34	x12
C		15x12	x12
D		5x38	x12
E		H-422	x3
F		D35	x12
G		12/6,3x7,7	x24

1



A		8x30	x24
---	---	------	-----

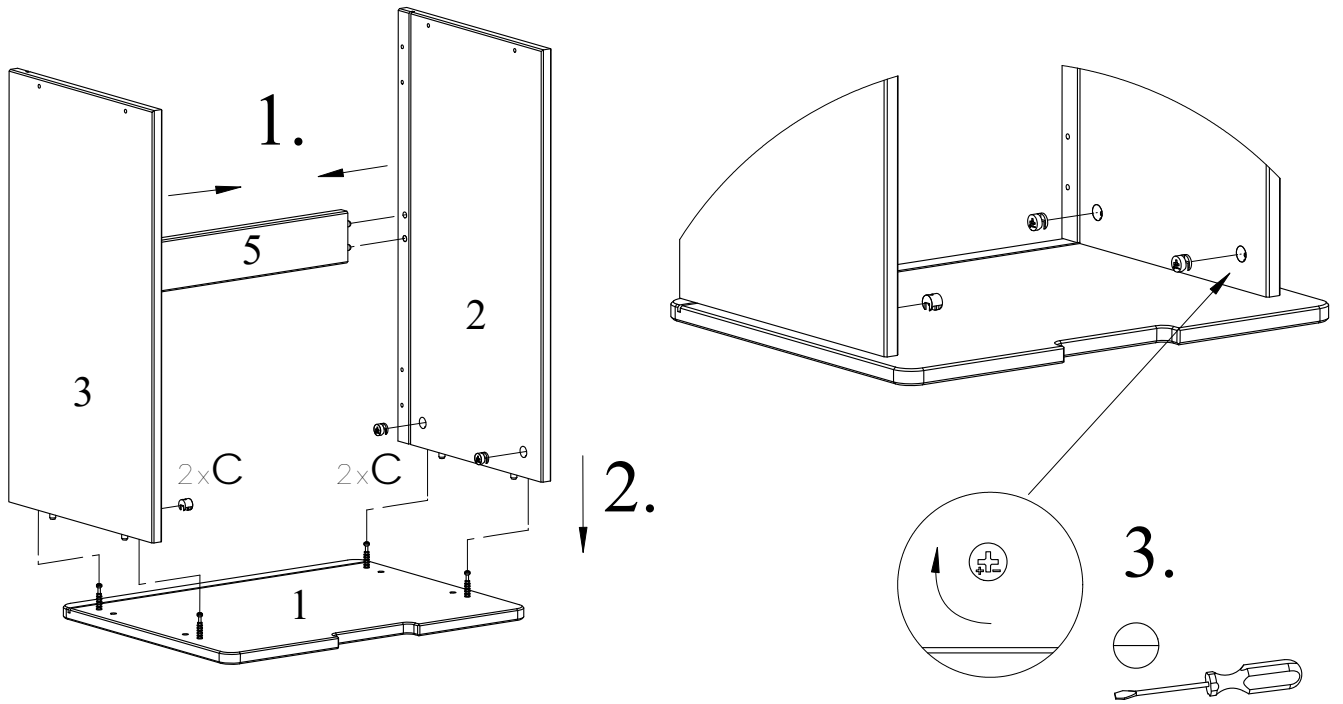
2



B		7x34	12
---	---	------	----

3

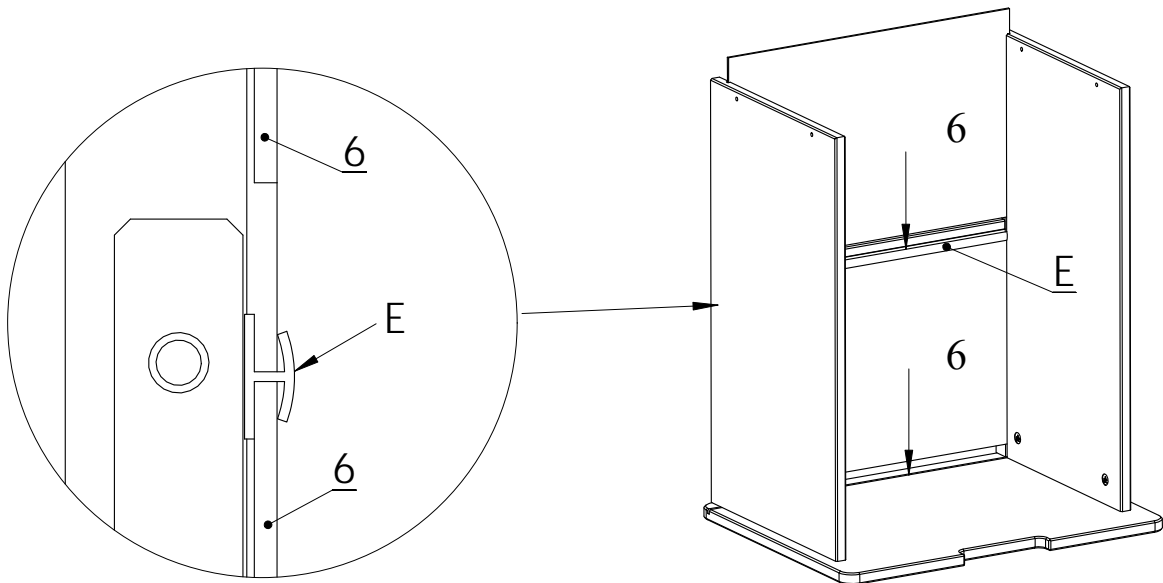
3x




C		15x12	x12
---	---	-------	-----

4

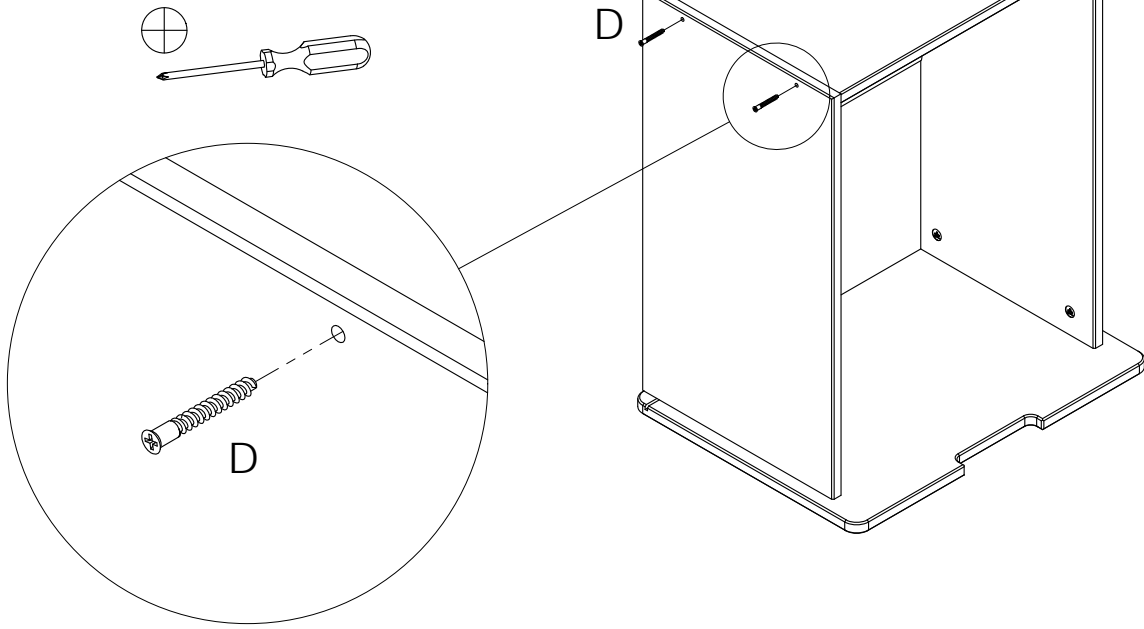
3x



E		H-422	x3
---	--	-------	----

5

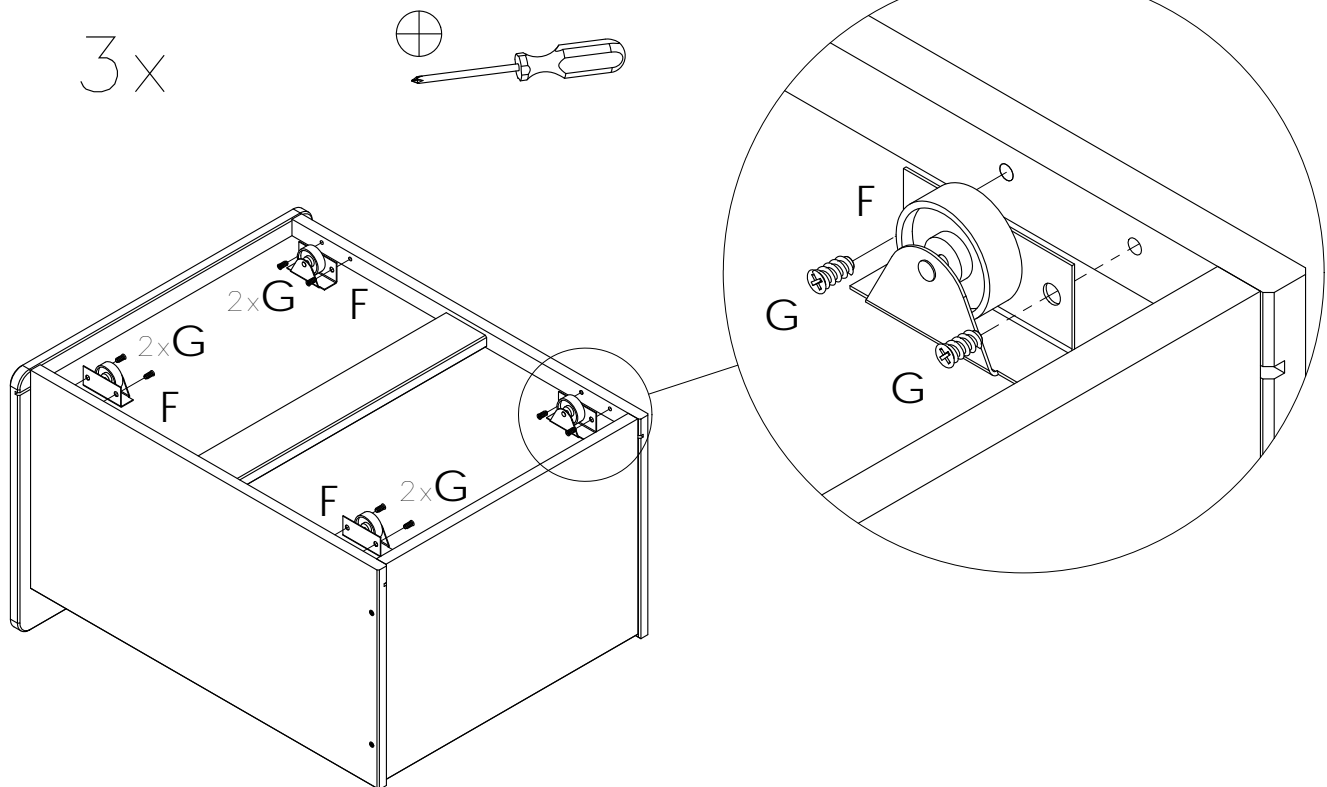
3x

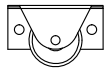



D		5x38	x12
---	---	------	-----

6

3x



F		D35	x12
G		12/6,3x7,7	x24