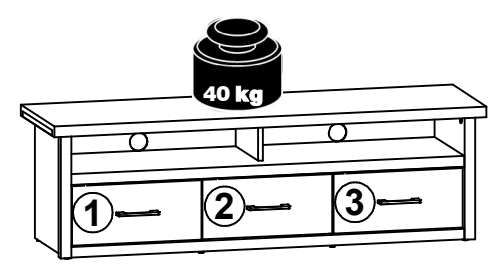
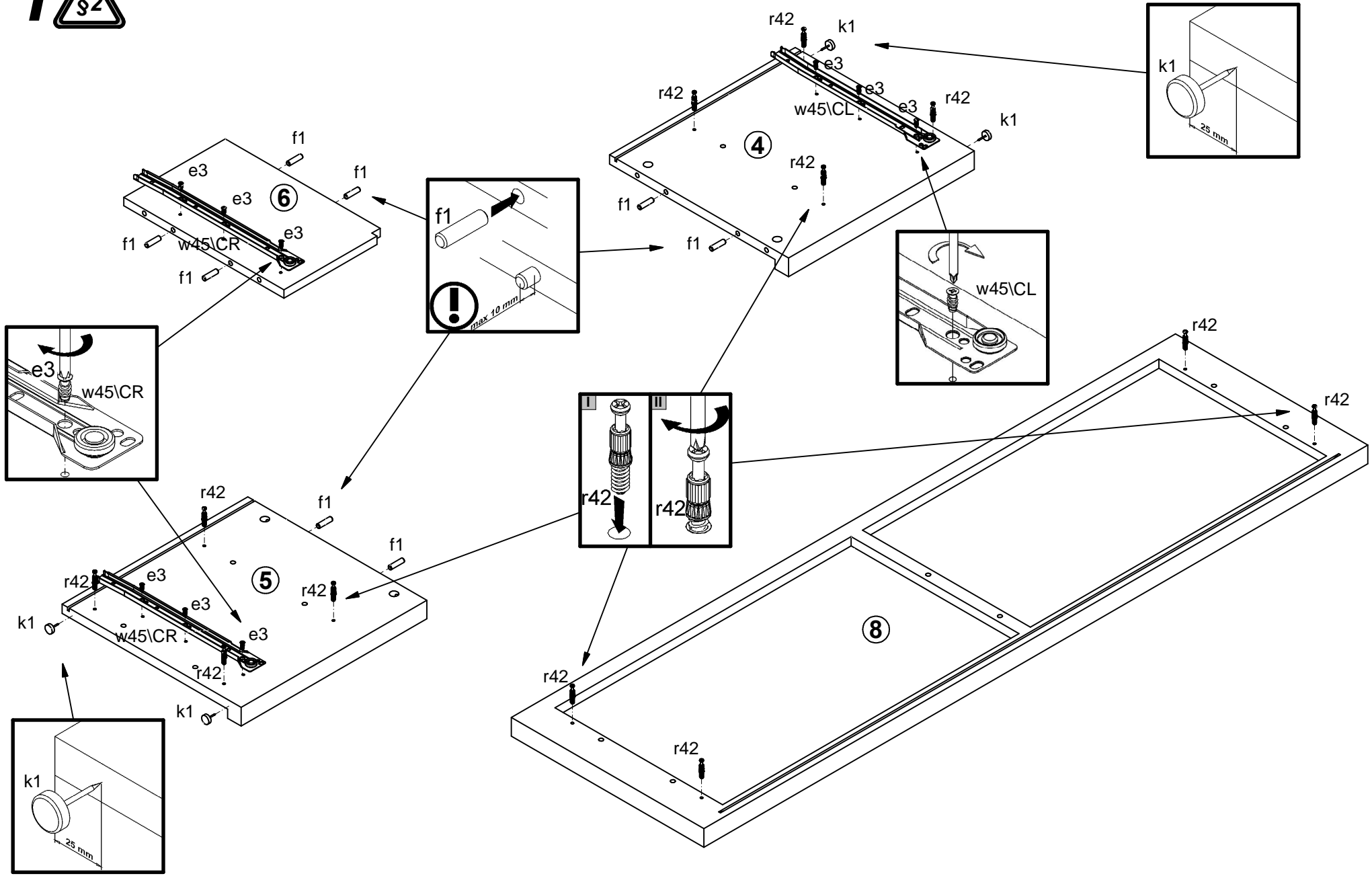


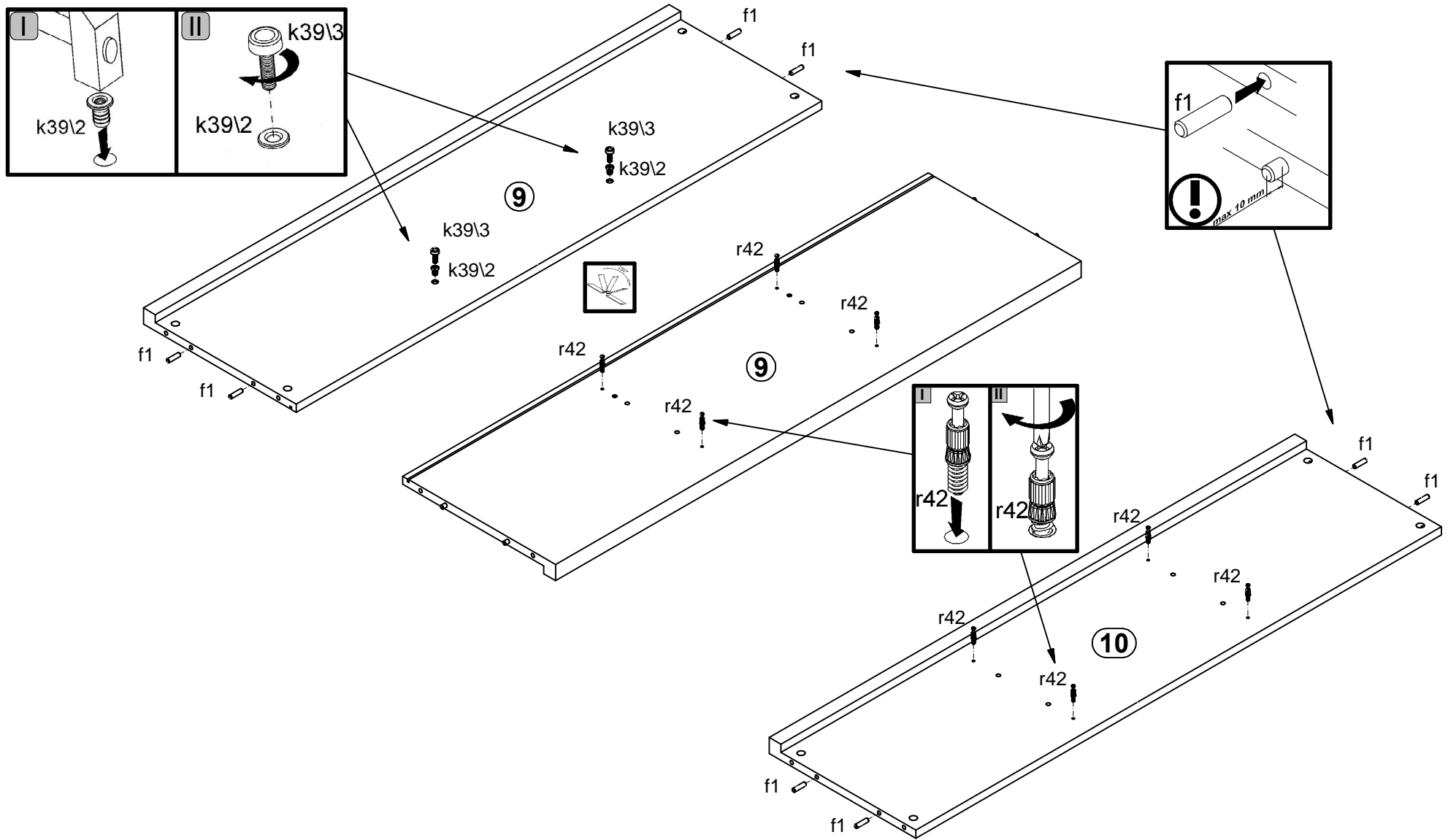
A	B	C (mm)		D
1	S328-005	444	200	3/3
2	S328-006	444	200	3/3
3	S328-007	444	200	3/3
4	S328-105	414	399	2/3
5	S328-106	414	399	2/3
6	S328-107	226	357	1/3
7	S328-108	134	288	1/3
8	S328-202	1480	429	1/3
9	S328-302	1348	392	1/3
10	S328-303	1348	376	1/3
11	S328-904	1358	388	1/3
12	S328-905	405	355	1/3
13	S328-906	415	355	1/3
14	ZS3-5533	393	120	2/3
15	ZS3-5640	383	120	2/3
16	ZS4-501	350	120	1/3
17	ZS4-502	350	120	1/3



3x 128 mm c406	12x Ø6x13 mm e3	12x Ø5x9 mm e19	24x Ø8x30 mm f1	6x Ø6x30 mm f9	12x Ø6,5x40 mm f25	6x M4x25 mm j8	6x k1	2x M6/Ø14x14 mm k39/2	2x M6/22 mm k39/3	20x l1	12x l2	9x Ø3,5x16 mm p38
6x Ø3x12 mm p54	20x Ø15x12 mm #16 r1	12x Ø12x10,5 mm #12 r15	32x 20/11 r42	3x 350 mm w45\CL	3x 350 mm w45\CR	3x 350 mm w45\DL	3x 350 mm w45\DR	6x Ø16 s2				

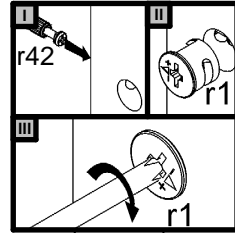


2

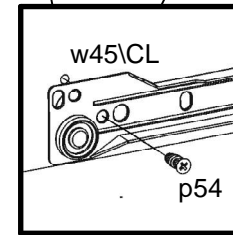
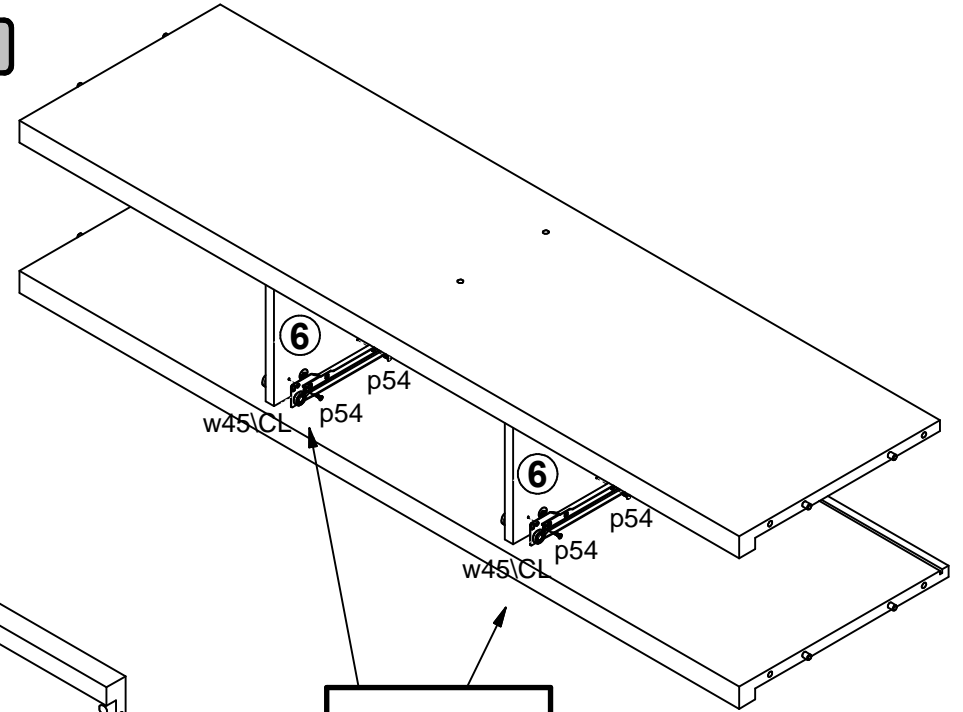
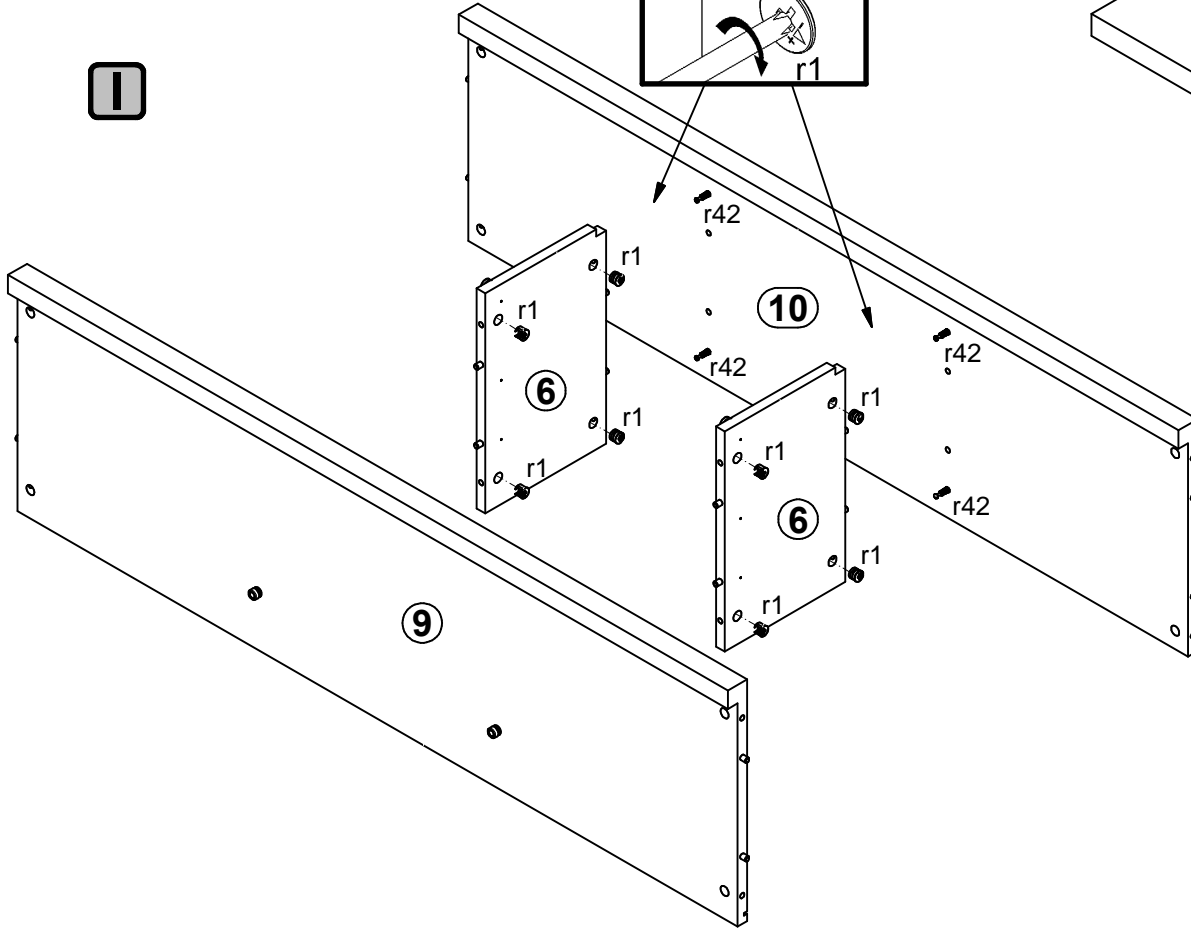


3 

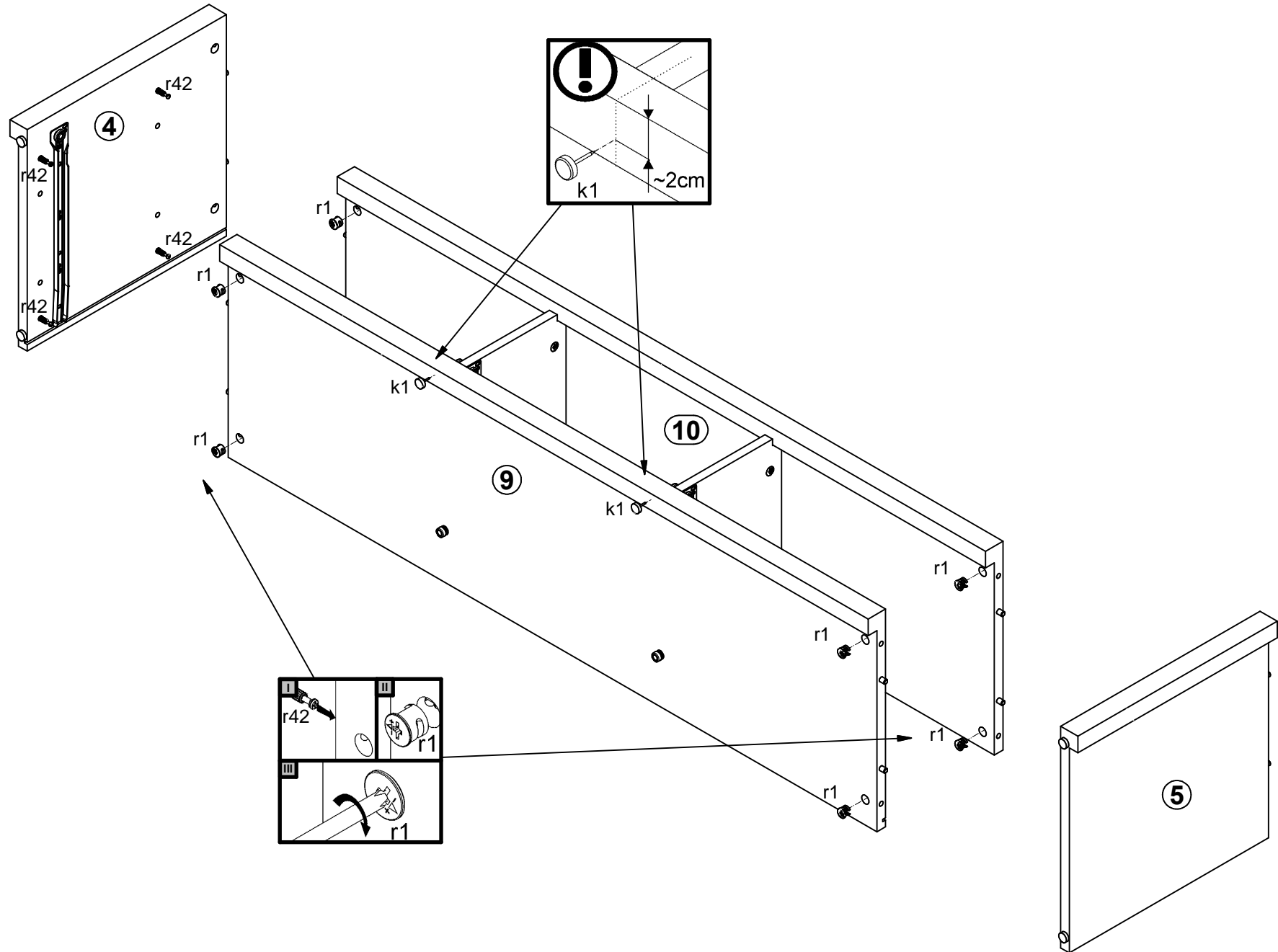
II



I



4

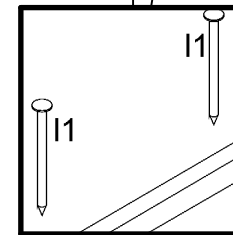
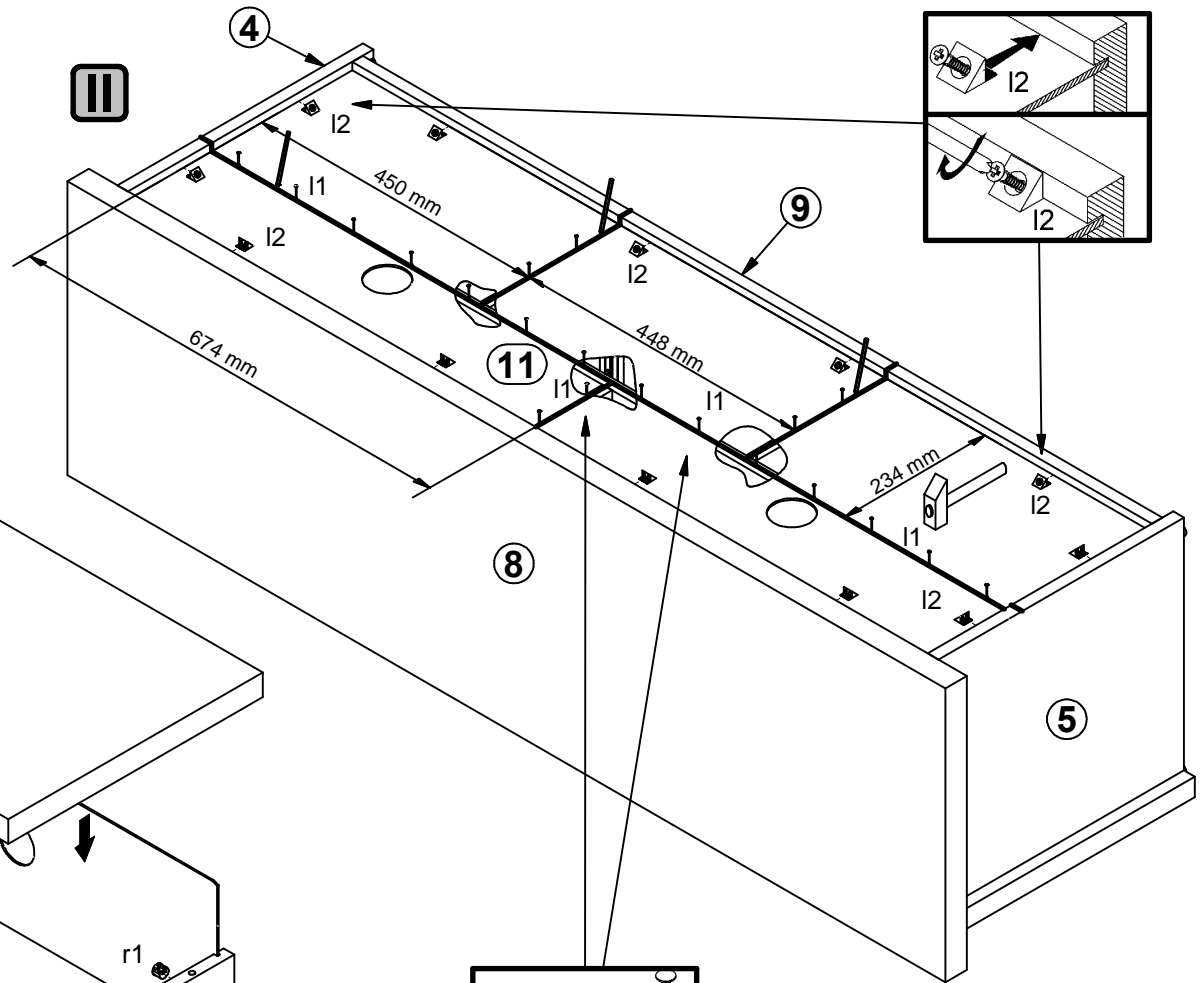
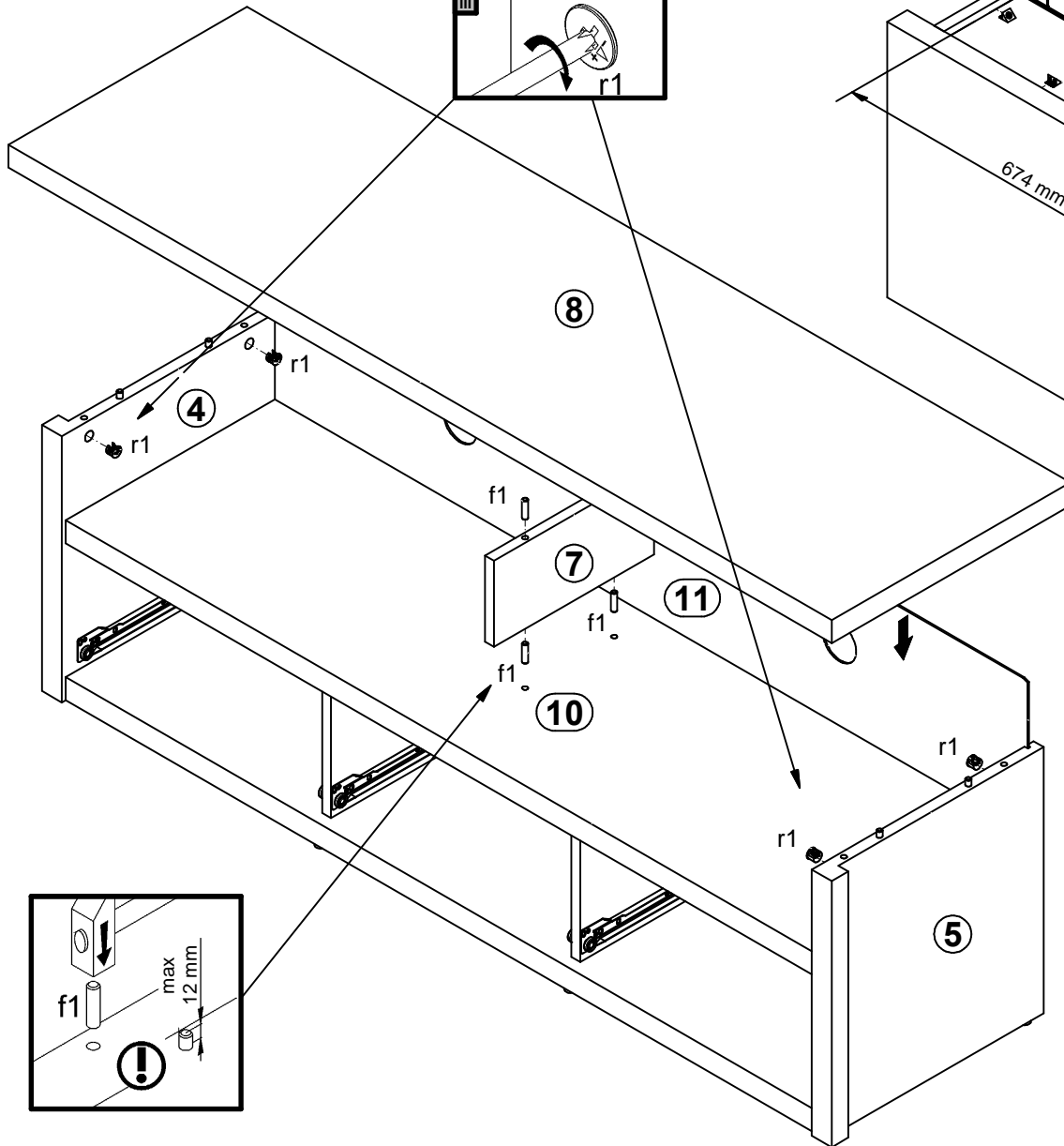
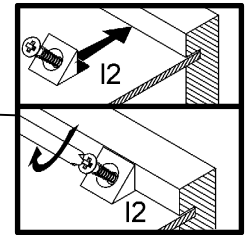


5

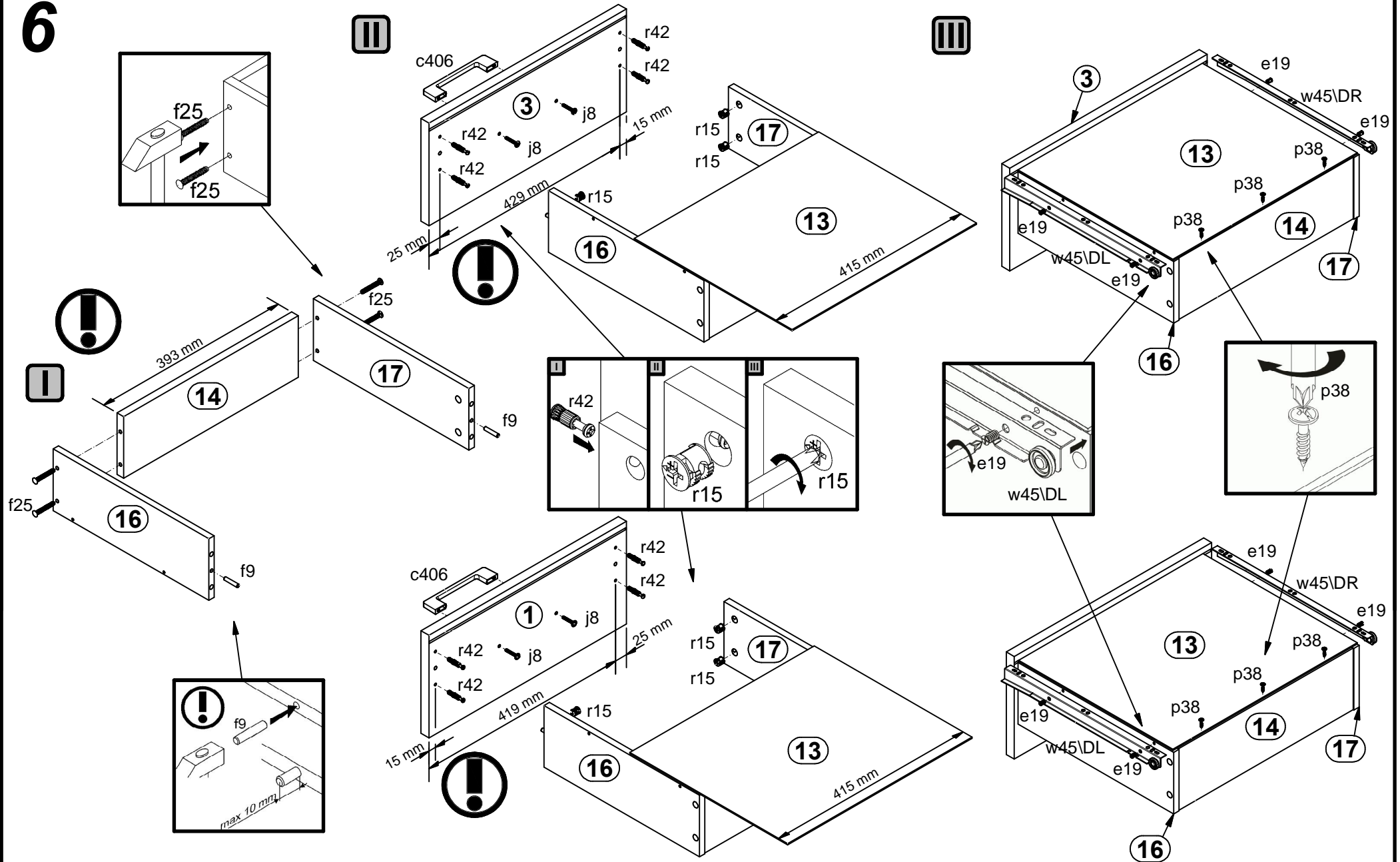
I



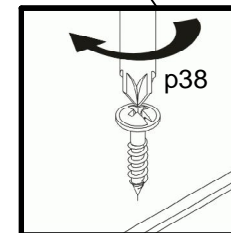
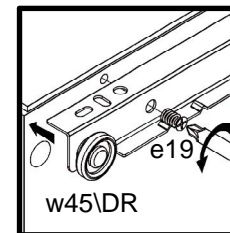
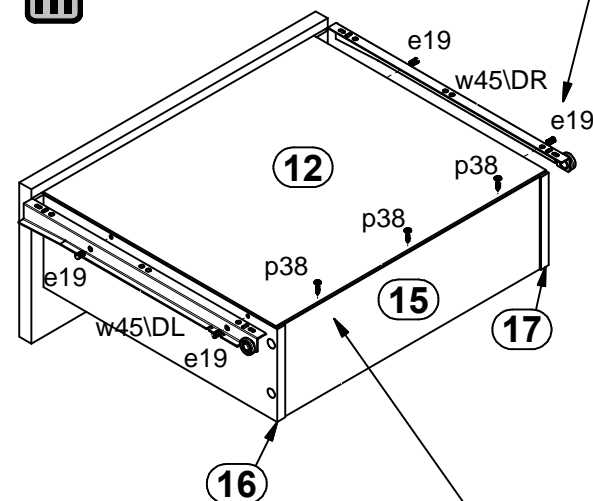
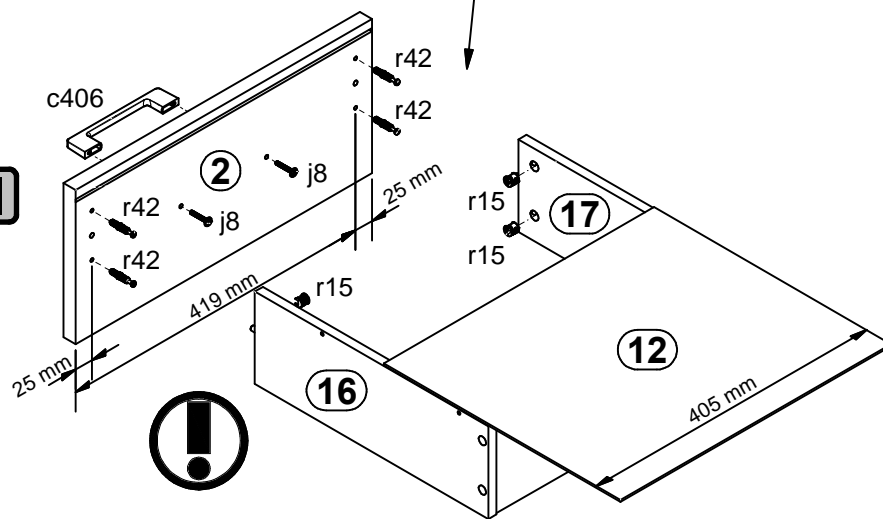
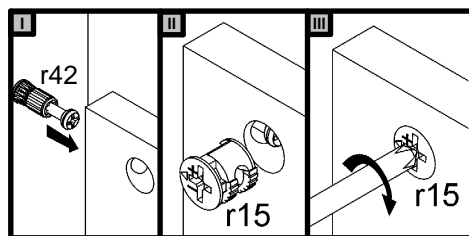
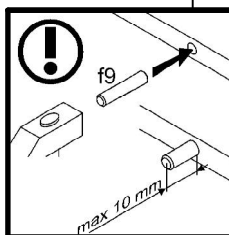
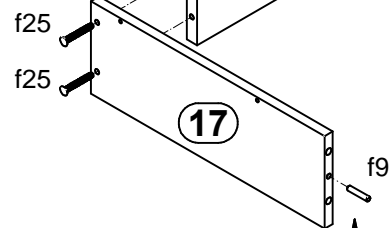
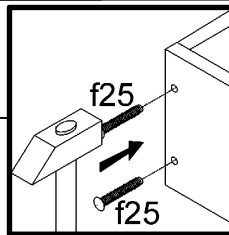
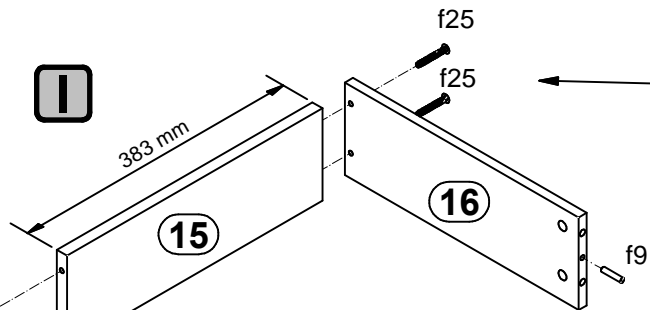
II



6



7



8

