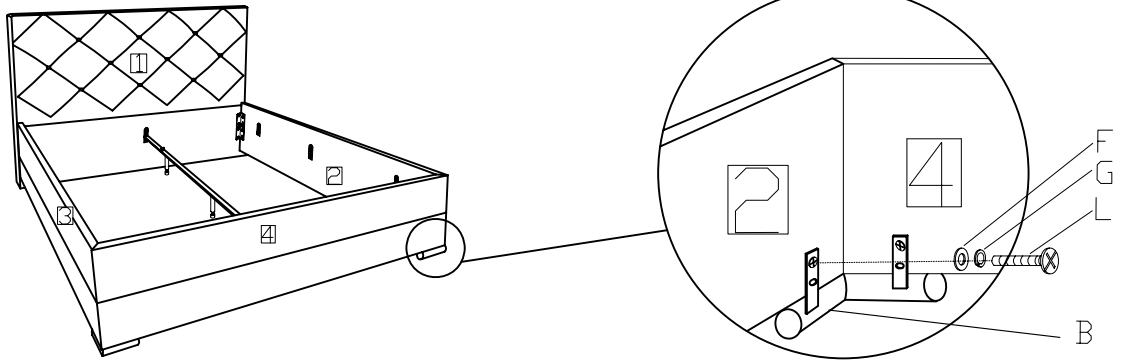


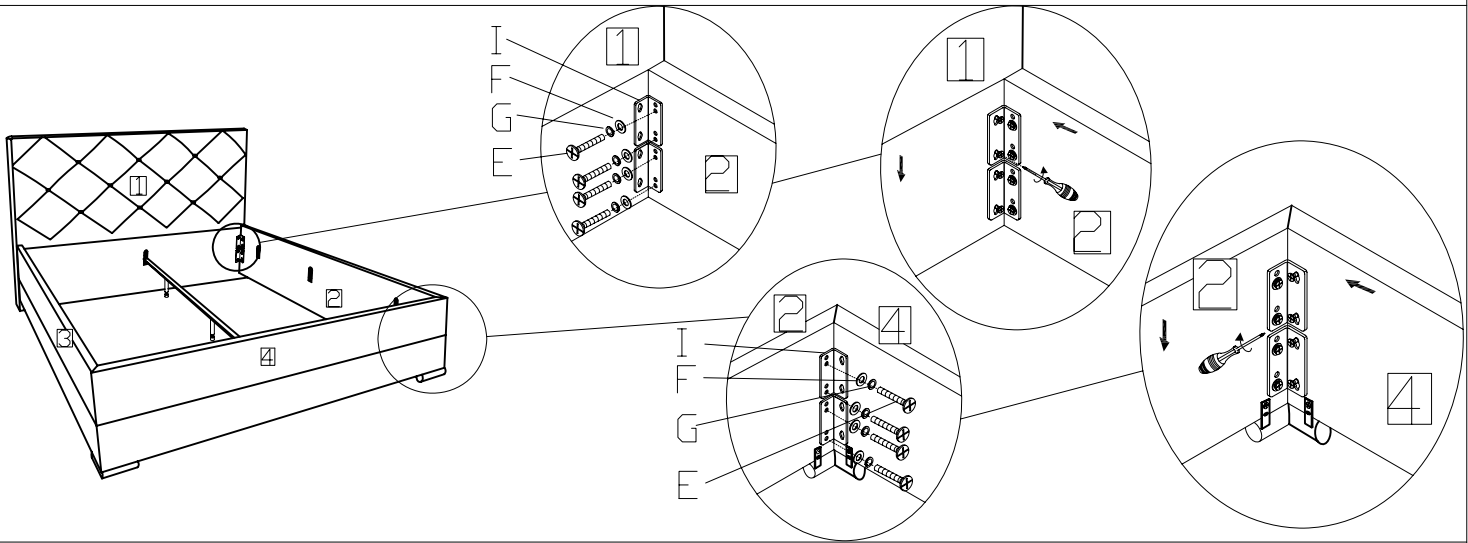
CHICAGO *by meise* / B-385

A	B	C	D	E	F	G	H	I	J	K
2X	2X	4*16	M6*15	M8*30	M8	M8	8X	8X	1X	M8*20

1



2



3

